

INSTALLATION MANUAL FOR A-M CONVERTER

PAC-SF83MA-E

For models in which this component is used, see the separate sheet.

SAFETY PRECAUTIONS

- Before starting installation, read the "Safety Precautions" described below.
- The following precautions must be observed as it describes the serious matters for safety.
- The safety precautions are described with the degree of danger.



WARNING When you handle wrong, it can lead to death or serious injury.



CAUTION When you handle wrong, it can lead to injury or damage to building and furniture.

- After installation, make test operation and confirm that it works properly, and explain the safety precautions, operation method, and maintenance to your customers.
- Tell your customers to keep this installation manual together with operation manual with them, and when they give or sell this machine to other person put this installation manual and operation manual with it.

WARNING

The installation must be done by dealer or qualified person.

- If the customers do the installation by themselves and it is not perfectly installed it can cause water leak, electric shock, or fire.

The installation must be done in accordance with this manual.

- If the installation is not perfectly done, it can cause water leak, electric shock, or fire.

Never try any modification.

- For repair, ask your dealer.
- If the machine is modified or repaired unperfectly, it can cause water leak, electric shock, or fire.

Never move or reinstall the machine by the customers.

- If the installation is not perfectly done, it can cause water leak, electric shock, or fire. Ask your dealer or qualified person.

The wiring must be securely done by using proper cable. The wires should be connected to the terminals not to have external force of the cable.

- Unperfect connections can cause heat or fire.

The terminal cover (panel) of the unit must be installed securely.

- Unperfect installation can cause fire or electric shock by dust or water.

The electric installation must be done by qualified person in accordance with this installation manual. Use the separate circuit only for this machine and use rated voltage and circuit breaker.

- If the electric circuit power is not sufficient or the wiring is not properly done, it can cause electric shock or fire.

Before electric wiring

CAUTION

Install a circuit breaker depending upon the location.

- Without a circuit breaker, it can cause electric shock.

Use standard wires which meet current capacity.

- Otherwise, it can cause short-circuit, heat, or fire.

Wires must not have tension.

- It can cause snapping, heat, or fire.

Put ground wire.

- Never ground to gas pipe, water pipe, lightning conductor, or telephone ground wire.
- Unperfect ground can cause short-circuit.

Use proper fuses

- If you use larger size fuses or needle wire, it can cause failure or fire.

Before test operation

CAUTION

Turn the power on 12 hours or more before operation.

- If you start operation as soon as the power on, it can cause failure.
- Never turn the power off during season.

Never operate the machine without panel or guard off.

- It can cause serious injury being caught by rotating part or burn or electric shock by high voltage part.

Never operate the machine without air filter off.

- It can cause failure by dust.

Never operate the switches with your hand wet.

- It can cause electric shock.


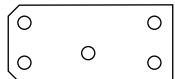
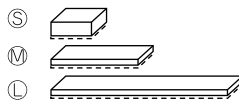
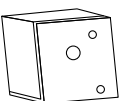

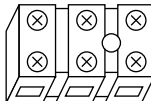


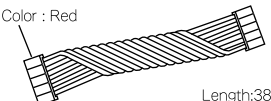
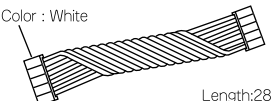
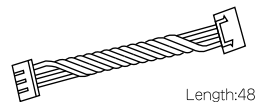
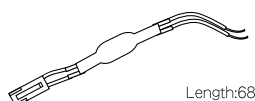
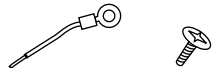
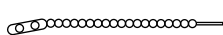
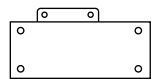
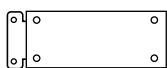
Never touch refrigerant pipes while the machine running.

- The refrigerant pipes becomes high and low temperature while the machine running. If you touch the pipes by hand, it can cause chilblain or burn.

Never turn the power off as soon as the machine stops.

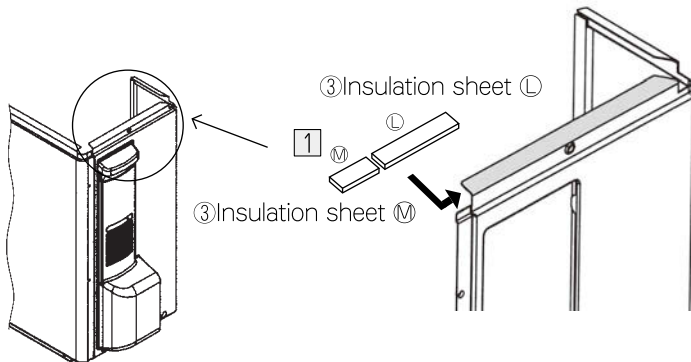
- Wait for 5 minutes or more. It can cause water leak or failure.

1. Parts List

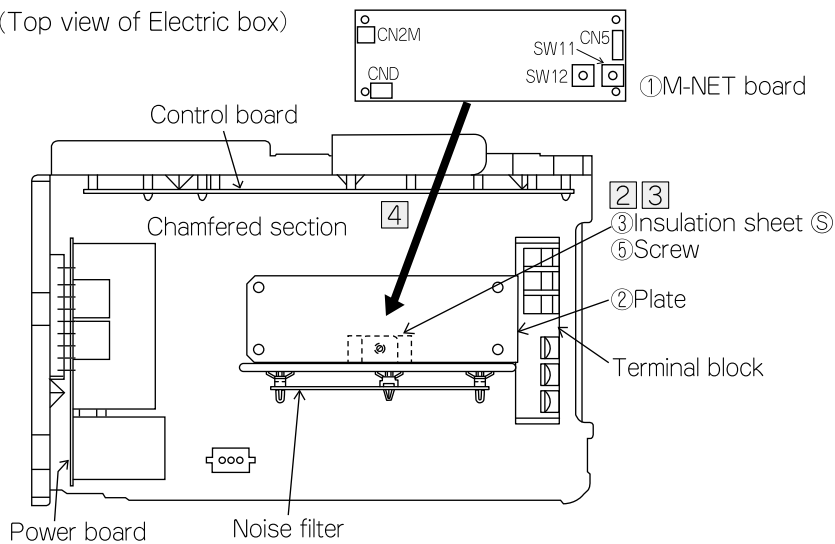
No	Description	Figure	Q'ty	Applicable models											Note
				A	B	C	D	E	F	G	H	I			
①	M-NET board (with insulation sheets and supports)		1	<input type="radio"/>	<input type="radio"/>	<input type="radio"/>	<input type="radio"/>	<input type="radio"/>	<input type="radio"/>	<input type="radio"/>	<input type="radio"/>	<input type="radio"/>	<input type="radio"/>		
②	Plate (For mounting circuit board)		1	<input type="radio"/>											
③	Insulation sheets (S, M, L)		S	1	<input type="radio"/>										
			M	1	<input type="radio"/>										
			L	1	<input type="radio"/>	<input type="radio"/>									
④	Terminal base		1			<input type="radio"/>	<input type="radio"/>								
⑤	Screw (M4×8)		2	<input type="radio"/>		<input type="radio"/>	<input type="radio"/>	<input type="radio"/>					<input type="radio"/>		
⑥	Terminal block (M-NET)		1	<input type="radio"/>	<input type="radio"/>	<input type="radio"/>	<input type="radio"/>	<input type="radio"/>	<input type="radio"/>	<input type="radio"/>	<input type="radio"/>	<input type="radio"/>	<input type="radio"/>		
⑦	Terminal screw (M3×20)		1	<input type="radio"/>	<input type="radio"/>	<input type="radio"/>	<input type="radio"/>	<input type="radio"/>	<input type="radio"/>	<input type="radio"/>	<input type="radio"/>	<input type="radio"/>	<input type="radio"/>		
⑧	Label		1	<input type="radio"/>	<input type="radio"/>	<input type="radio"/>	<input type="radio"/>	<input type="radio"/>	<input type="radio"/>	<input type="radio"/>	<input type="radio"/>	<input type="radio"/>	<input type="radio"/>		
⑨	Lead wire-A (5 wires)		1	<input type="radio"/>	<input type="radio"/>			<input type="radio"/>	<input type="radio"/>			<input type="radio"/>	<input type="radio"/>	Wire Marking : INV type Always make sure that the markings and the applicable model match. If used incorrectly, parts could be damaged.	
⑩	Lead wire-B (5 wires)		1			<input type="radio"/>	<input type="radio"/>				<input type="radio"/>			Wire Marking : NON-INV Always make sure that the markings and the applicable model match. If used incorrectly, parts could be damaged.	
⑪	Lead wire-C (3 wires)		1	<input type="radio"/>	<input type="radio"/>	<input type="radio"/>	<input type="radio"/>	<input type="radio"/>	<input type="radio"/>	<input type="radio"/>	<input type="radio"/>	<input type="radio"/>	<input type="radio"/>		
⑫	Lead wire-D (2 wires)		1	<input type="radio"/>	<input type="radio"/>	<input type="radio"/>	<input type="radio"/>	<input type="radio"/>	<input type="radio"/>	<input type="radio"/>	<input type="radio"/>	<input type="radio"/>	<input type="radio"/>		
⑬	Ground wire and screw (M4×8)		1each	<input type="radio"/>	<input type="radio"/>	<input type="radio"/>	<input type="radio"/>	<input type="radio"/>	<input type="radio"/>	<input type="radio"/>	<input type="radio"/>	<input type="radio"/>	<input type="radio"/>		
⑭	Pull tight		2	<input type="radio"/>	<input type="radio"/>	<input type="radio"/>	<input type="radio"/>	<input type="radio"/>	<input type="radio"/>	<input type="radio"/>	<input type="radio"/>	<input type="radio"/>	<input type="radio"/>		
⑮	Plate 2 (For mounting circuit board)		1					<input type="radio"/>							
⑯	Plate 3 (For mounting circuit board)		1									<input type="radio"/>			

2. Installation procedure [Applicable model : Group A]

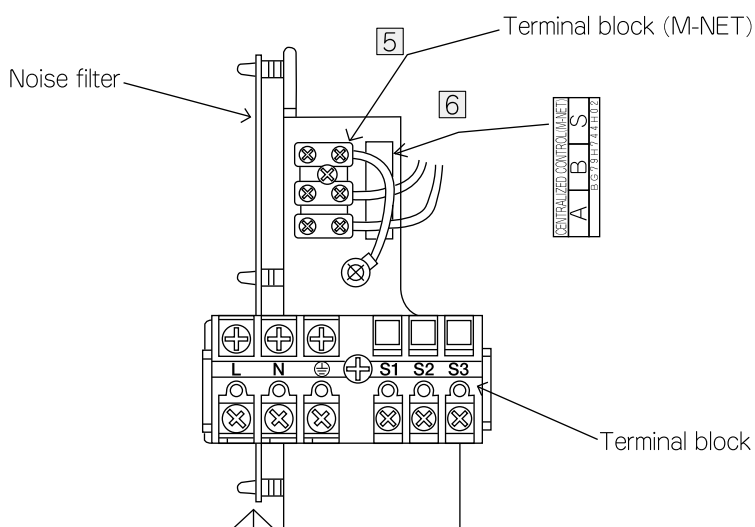
- To protect the wires connected to M-NET board from the edges of sheet-metal component, paste the insulation on the edge surface of panel sheet-metal before proceeding with the following work.



(Top view of Electric box)



(When viewed from the side of Electric box)



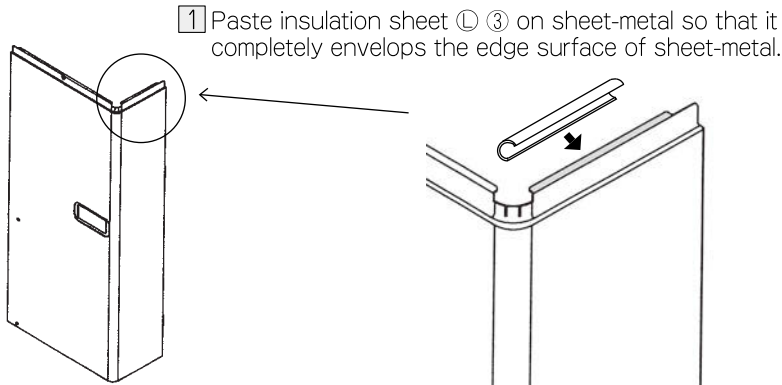
- 1 Affix insulation sheets M and L ③ to the backside of the flange surface on the top of the side panel.
- 2 Starting from the bottom, mount Insulation Sheet S ③ to the “L” bend section on the back of the noise filter mounting panel.
- 3 Position the chamfered section of Plate ② so that it faces the fan side (the left side of the drawing) and mount it using Screw ⑤.
- 4 As shown in the illustration, position M-NET board ① (insulation sheet, with support) on the four corners of Plate ② so that the DIP switches (SW11, SW12) are on the terminal block side and then mount.
※Push it firmly until you hear it “click”
- 5 Use terminal screw ⑦ to secure terminal block ⑥
※Terminal block ⑥ has a round boss for positioning:Fit the round boss into the positioning hole in steel-plate.
- 6 Paste label ⑧
- 7 Use lead wire-A ⑨ to connect CN5 of M-NET board ① connection and CNMNT of outdoor control board.
※Caution
Wire Marking:INV type, Connector color:Red
Always make sure that the markings and the applicable model match. If used incorrectly, parts could be damaged.
- 8 Use lead wire-C ⑩ to connect CND of M-NET board ① connection and CNVMNT of outdoor control board.
- 9 Use lead wire-D ⑪ to connect CN2M of M-NET board ① connection and terminals A and B of terminal block ⑥ Polarity is not a concern.
※Connect the wire firmly making sure that the screws on terminal block are not loose.
- 10 The lead wires should be tied together with the other lead wires with the pull tight ⑭ not to loose.
Wiring length is adjusted according to apparatus.

It progresses to the 12 page
“3.Wiring method for M-NET”

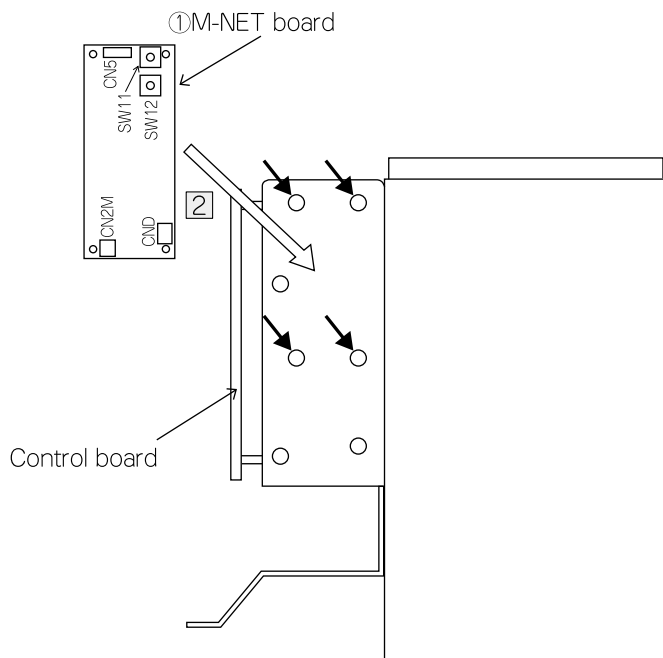
- Note1:Use ground wire and screw ⑬ as required to connect the shield of M-NET transmission line to the unit.
Note2:Take great care that no lead wire is caught on anything when installing panels.

2. Installation procedure [Applicable model : Group B]

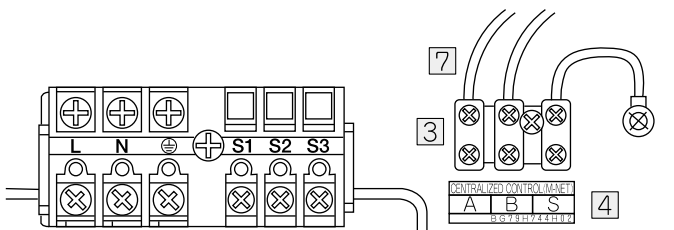
- To protect the wires connected to M-NET board from the edges of sheet-metal component, paste the insulation on the edge surface of panel sheet-metal before proceeding with the following work.



(When viewed from the side of Electric box)



(When viewed from the side of Electric parts box)



- 1 Paste insulation sheet ① ③ on sheet-metal so that it completely envelops the edge surface of sheet-metal.

- 2 Install M-NET board ① (with insulation sheets and supports) on the side of Electric box so that the rotary switch faces up (at the four points indicated by arrows).
※Push it firmly until you hear it “click” .

- 3 Use terminal screw ⑦ to secure terminal block ⑥
※ Terminal block ⑥ has a round boss for positioning; Fit the round boss into the positioning hole in steel-plate.

- 4 Paste label ⑧ under terminal block ⑥

- 5 Use lead wire-A ⑨ to connect CN5 of M-NET board ① connection and CNMNT of outdoor control board.
※Caution
Wire Marking: INV type, Connector color: Red
Always make sure that the markings and the applicable model match. If used incorrectly, parts could be damaged.

- 6 Use lead wire-C ⑩ to connect CND of M-NET board ① connection and CNVMNT of outdoor control board.

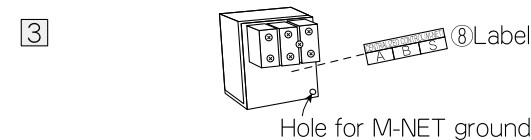
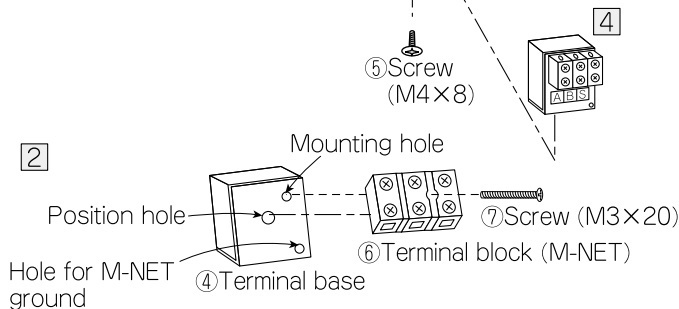
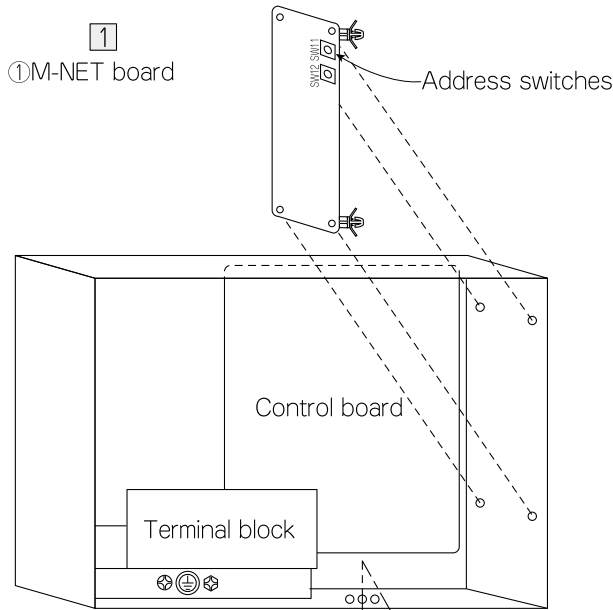
- 7 Use lead wire-D ⑫ to connect CN2M of M-NET board ① connection and terminals A and B of terminal block ⑥ Polarity is not a concern.
※Connect the wire firmly making sure that the screws on terminal block are not loose.

- 8 The lead wires should be tied together with the other lead wires with the pull tight ⑭ not to loose.
Wiring length is adjusted according to apparatus.

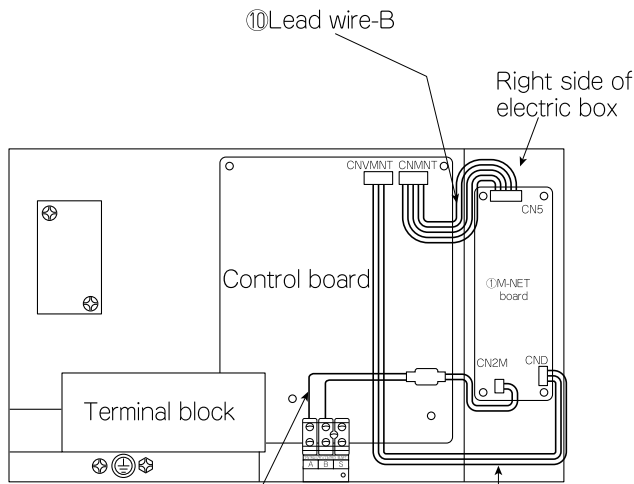
It progresses to the ⑫ page
“3.Wiring method for M-NET”

- Note1: Use ground wire and screw ⑬ as required to connect the shield of M-NET transmission line to the unit.
Note2: Take great care that no lead wire is caught on anything when installing panels.

2. Installation procedure [Applicable model : Group C]



5 Connection of M-NET board (CN5) and Control board (CNMNT)



7 Connection of M-NET board (CN2M) and Terminal block (Terminals A & B)

6 Connection of M-NET board (CND) and Control board (CNVMNT)

- 1 Install the M-NET board ① so that the (SW11, SW12) come front.
※Put it securely until it sounds click.
- 2 Install the Terminal block (M-NET) ⑥ on the Terminal base ④.
※The Terminal base ④ has round boss for positioning.
Match the round boss to the holes of the Terminal base ④.
- 3 Put the Label ⑧ on the Terminal base ④.
※Not to close the Hole for M-NET ground.
- 4 Install the Terminal base ④ on the bottom inside of the electric box.

5 Connect the lead wire-B ⑩ to both the connector CN5 on the M-NET board ① and the connector CNMNT on the control board.
※Caution
Wire Marking:NON-INV, Connector color:White
Always make sure that the markings and the applicable model match. If used incorrectly, parts could be damaged.

6 Connect the lead wire-C ⑪ to both the connector CND on the M-NET board ① and the connector CNVMNT on the control board.

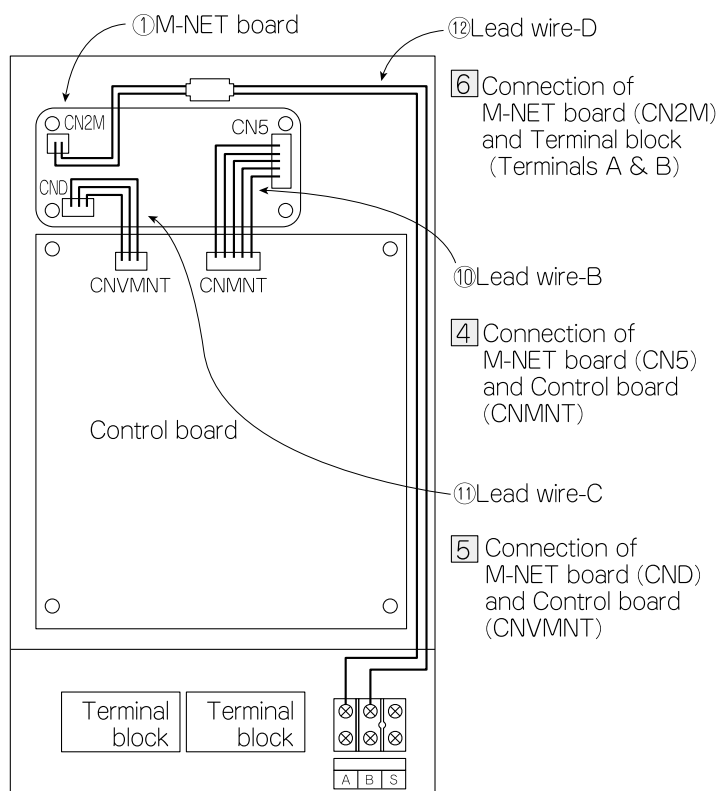
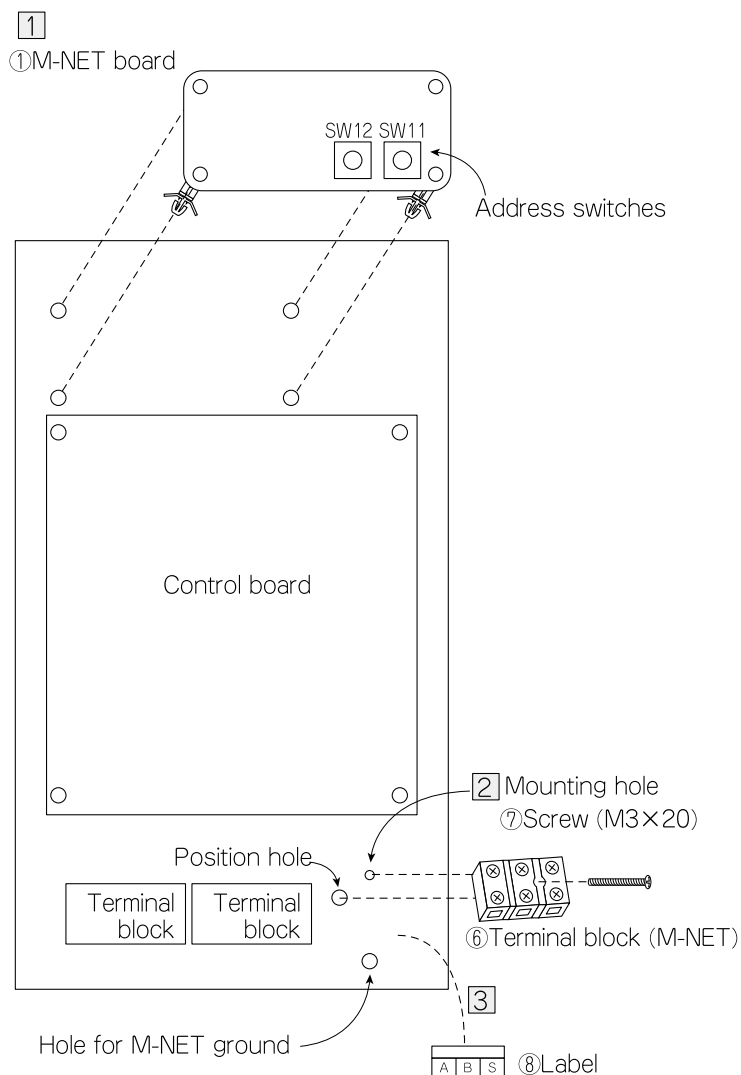
7 Connect the lead wire-D ⑫ to both the connector CN2M on the M-NET board ① and the terminals A & B on the terminal block (M-NET) ⑥.

8 The lead wires should be tied together with the other lead wires with the pull tight ⑭ not to loose.
Wiring length is adjusted according to apparatus.

It progresses to the ⑫ page
“3.Wiring method for M-NET”

Note1:Use ground wire and screw ⑬ as required to connect the shield of M-NET transmission line to the unit.
Note2:Take great care that no lead wire is caught on anything when installing panels.

2. Installation procedure [Applicable model : Group D]



① Install the M-NET board ① so that the (SW11, SW12) come front.
※Put it securely until it sounds click.

② Install the Terminal block (M-NET) ⑥ on the base of the electric box.

③ Put the Label ⑧ on the base of the electric box.

④ Connect the lead wire-B ⑩ to both the connector CN5 on the M-NET board ① and the connector CNMNT on the control board.

※Caution

Wire Marking:NON-INV, Connector color:White
Always make sure that the markings and the applicable model match. If used incorrectly, parts could be damaged.

⑤ Connect the lead wire-C ⑪ to both the connector CND on the M-NET board ① and the connector CNVMNT on the control board.

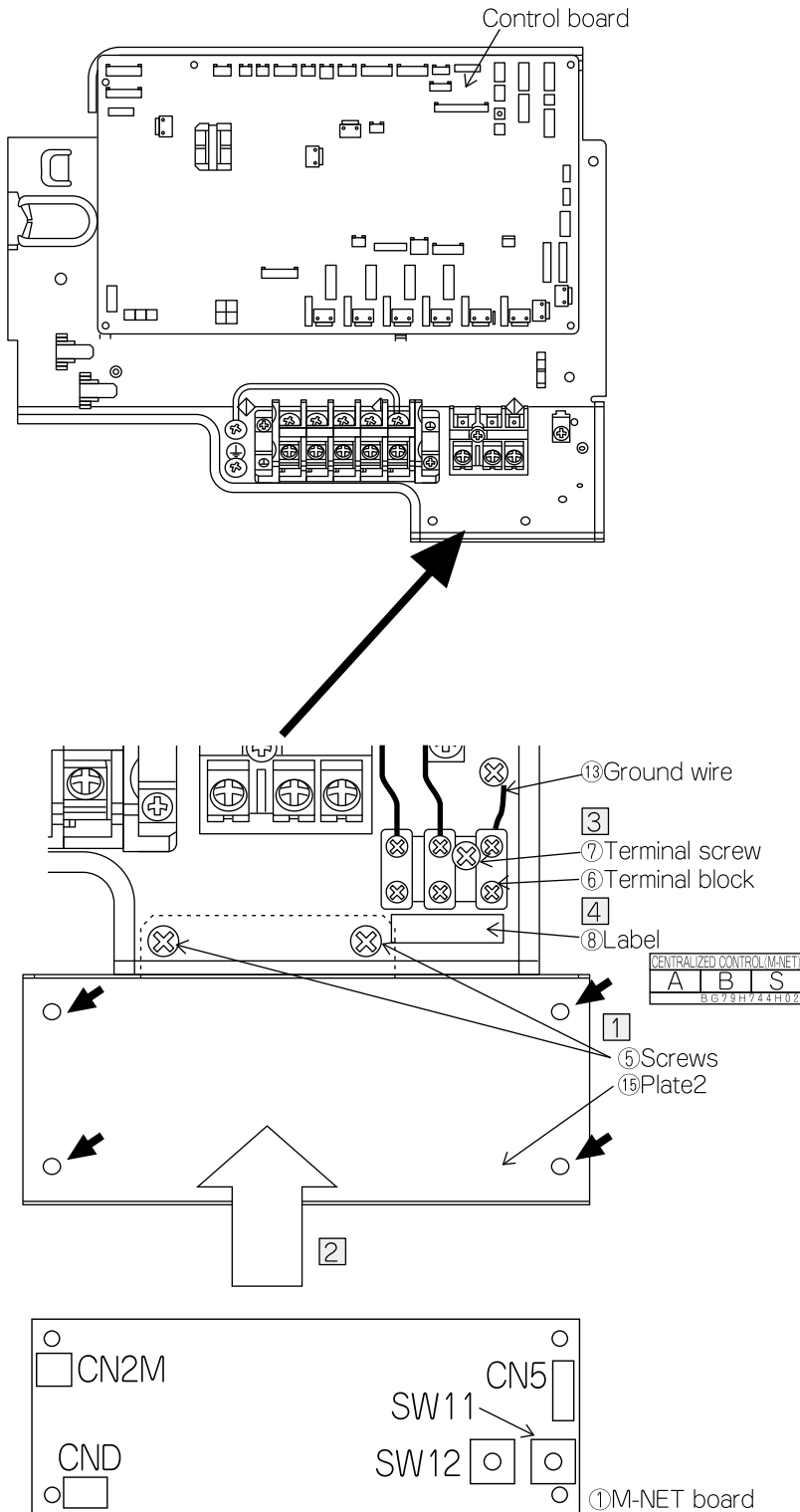
⑥ Connect the lead wire-D ⑫ to both the connector CN2M on the M-NET board ① and the terminals A & B on the terminal block (M-NET) ⑥.

⑦ The lead wires should be tied together with the other lead wires with the pull tight ⑭ not to loose.
Wiring length is adjusted according to apparatus.

It progresses to the ⑫ page
“3.Wiring method for M-NET”

Note1:Use ground wire and screw ⑬ as required to connect the shield of M-NET transmission line to the unit.
Note2:Take great care that no lead wire is caught on anything when installing panels.

2. Installation procedure [Applicable model : Group E]



1 Attach the Plate 2 (15), using two screws (5).

2 Install M-NET board (1) (with insulation sheets and supports) on the Plate2 (15) .
※Push it firmly until you hear it “click” .

3 Use terminal screw (7) to secure terminal block (6)
※Terminal block (6) has a round boss for positioning:Fit the round boss into the positioning hole in steel-plate.

4 Paste label (8)

5 Use lead wire-A (9) to connect CN5 of M-NET board (1) connection and CNMNT of outdoor control board.
※Caution
Wire Marking:INV type, Connector color:Red
Always make sure that the markings and the applicable model match. If used incorrectly, parts could be damaged.

6 Use lead wire-C (11) to connect CND of M-NET board (1) connection and CNVMNT of outdoor control board.

7 Use lead wire-D (12) to connect CN2M of M-NET board (1) connection and terminals A and B of terminal block (6) Polarity is not a concern.
※Connect the wire firmly making sure that the screws on terminal block are not loose.

8 The lead wires should be tied together with the other lead wires with the pull tight (14) not to loose.
Wiring length is adjusted according to apparatus.

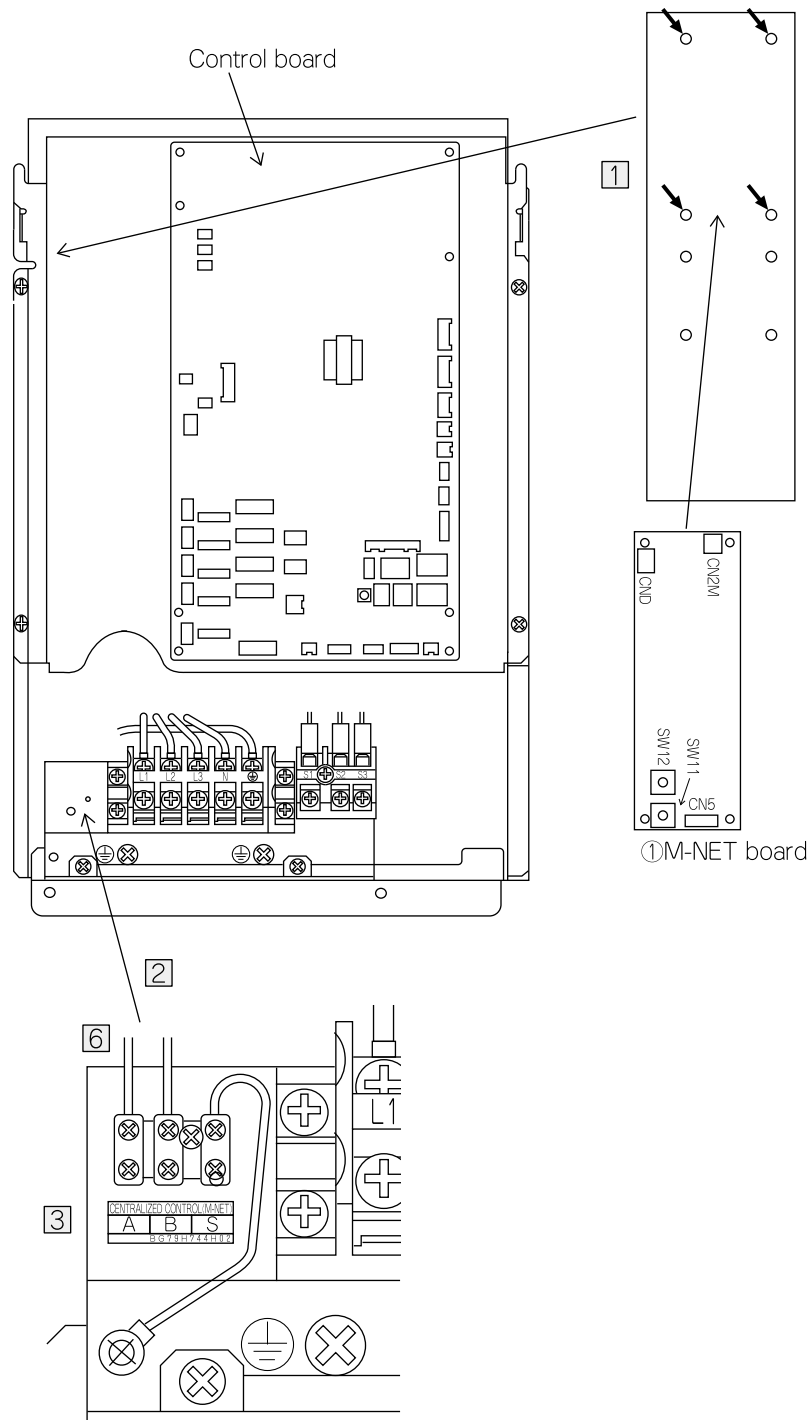
It progresses to the 12 page
“3.Wiring method for M-NET”

Note1:Use ground wire and screw (13) as required to connect the shield of M-NET transmission line to the unit.

Note2:Take great care that no lead wire is caught on anything when installing panels.

2. Installation procedure [Applicable model : Group F]

(When viewed from the side of electrical parts box)



① Install M-NET board ① (with insulation sheets and supports) on the side of electric box .
At the four point indicated by arrows.
※Push it firmly until you hear it “click” .

② Use terminal screw ⑦ to secure terminal block ⑥
※Terminal block ⑥ has a round boss for positioning:Fit the round boss into the positioning hole in steel-plate.

③ Paste label ⑧ under terminal block ⑥

④ Use lead wire-A ⑨ to connect CN5 of M-NET board ① connection and CNMNT of outdoor control board.
※Caution
Wire Marking:INV type, Connector color:Red
Always make sure that the markings and the applicable model match. If used incorrectly, parts could be damaged.

⑤ Use lead wire-C ⑩ to connect CND of M-NET board ① connection and CNVMNT of outdoor control board.

⑥ Use lead wire-D ⑫ to connect CN2M of M-NET board ① connection and terminals A and B of terminal block ⑥ Polarity is not a concern.
※Connect the wire firmly making sure that the screws on terminal block are not loose.

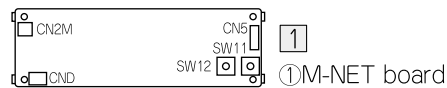
⑦ The lead wires should be tied together with the other lead wires with the pull tight ⑭ not to loose.
Wiring length is adjusted according to apparatus.

It progresses to the ⑫ page
“3.Wiring method for M-NET”

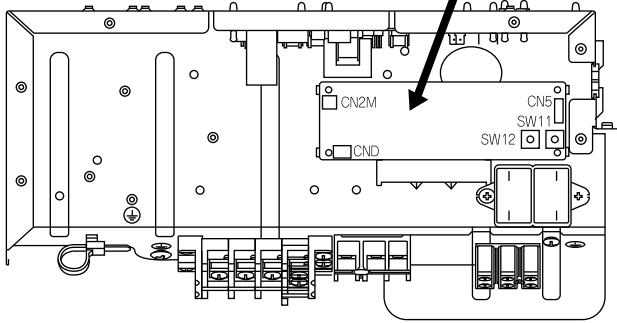
Note1:Use ground wire and screw ⑬ as required to connect the shield of M-NET transmission line to the unit.

Note2:Take great care that no lead wire is caught on anything when installing panels.

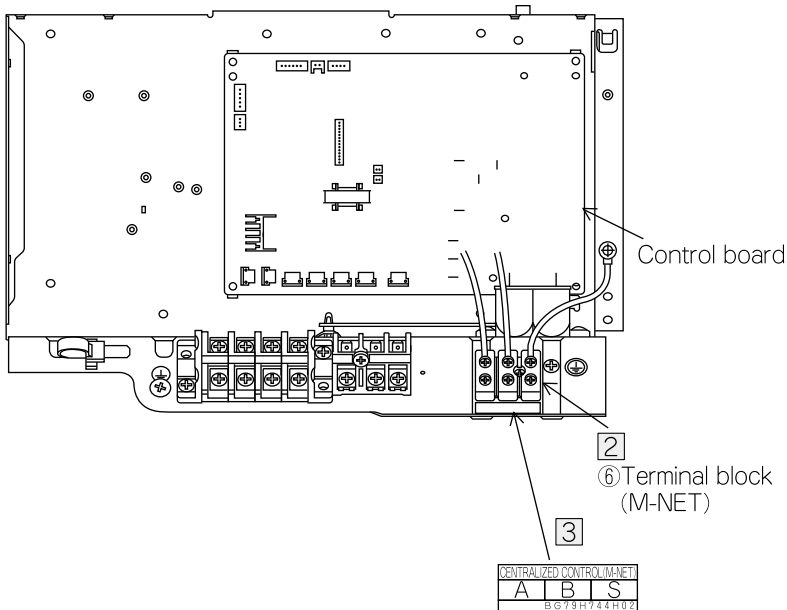
2. Installation procedure [Applicable model : Group G]



(Top view of Electric box without top panel)



(Front view of Electric box)



① The M-NET board ① is installed in the bottom of electric box so that the DIP switches (SW11, SW12) come front.
 ※Push it firmly until you hear it “click” .

② Use terminal screw ⑦ to secure terminal block ⑥
 ※ Terminal block ⑥ has a round boss for positioning: Fit the round boss into the positioning hole in steel-plate.

③ Paste label ⑧ under terminal block ⑥

④ Use lead wire-B ⑩ to connect CN5 of M-NET board ① connection and CNMNT of outdoor control board.
 ※Caution
 Wire Marking:NON-INV, Connector color:White
 Always make sure that the markings and the applicable model match. If used incorrectly, parts could be damaged.

⑤ Use lead wire-C ⑪ to connect CND of M-NET board ① connection and CNMNT of outdoor control board.

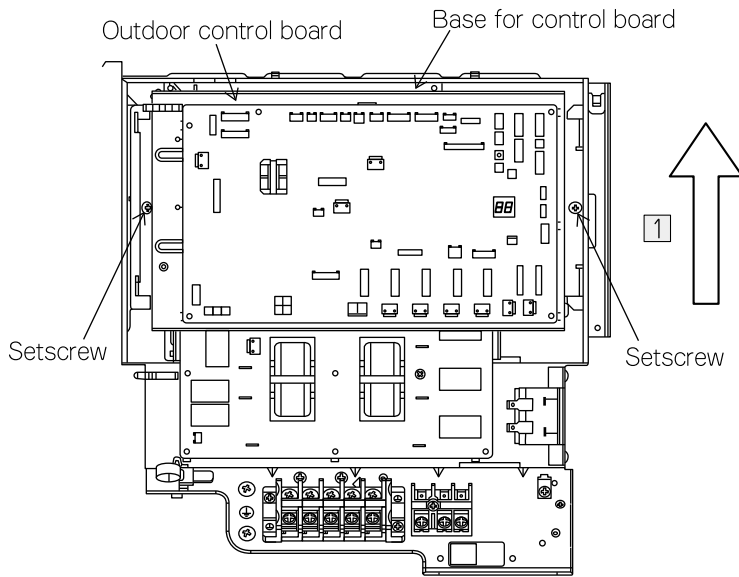
⑥ Use lead wire-D ⑫ to connect CN2M of M-NET board ① connection and terminals A and B of terminal block ⑥ Polarity is not a concern.
 ※Connect the wire firmly making sure that the screws on terminal block are not loose.

⑦ The lead wires should be tied together with the other lead wires with the pull tight ⑭ not to loose.
 Wiring length is adjusted according to apparatus.

It progresses to the ⑫ page
 “3.Wiring method for M-NET”

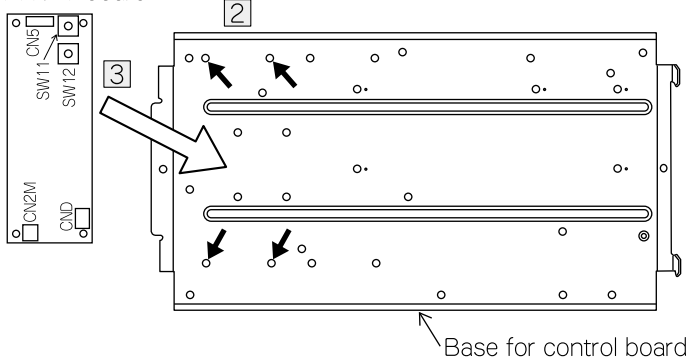
Note1:Use ground wire and screw ⑬ as required to connect the shield of M-NET transmission line to the unit.
 Note2:Take great care that no lead wire is caught on anything when installing panels.

2. Installation procedure [Applicable model : Group H]

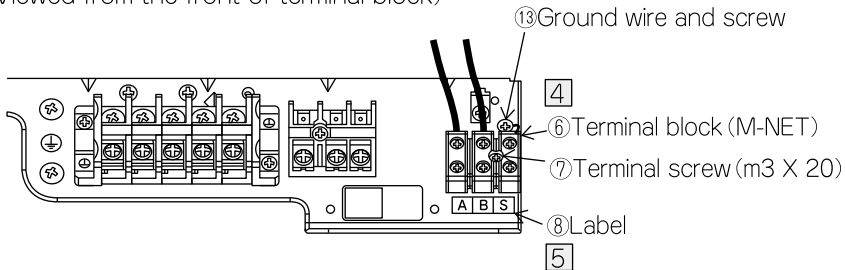


(Back of base for control board)

① M-NET board



(Viewed from the front of terminal block)



① Remove the two screws that secure the control board base of electrical parts box, and then slide the base in the direction of the arrow to remove it from the electrical parts box.

② Check for the four ① board attachment holes (arrows) in the back of control board base (the control board is attached to the surface).

③ Attach the ① board (with insulating sheet and support) so that the rotary switch faces up.

④ Use terminal screw ⑦ to secure terminal block ⑥
 ※ Terminal block ⑥ has a round boss for positioning: Fit the round boss into the positioning hole in steel-plate.

⑤ Paste label ⑧ under terminal block ⑥

⑥ Use lead wire-A ⑨ to connect CN5 of M-NET board ① connection and CNMNT of outdoor control board.

※ Caution

Wire Marking: NV type, Connector color: Red
 Always make sure that the markings and the applicable model match. If used incorrectly, parts could be damaged.

⑦ Use lead wire-C ⑩ to connect CND of M-NET board ① connection and CNVMNT of outdoor control board.

⑧ Use lead wire-D ⑫ to connect CN2M of M-NET board ① connection and terminals A and B of terminal block ⑥. Polarity is not a concern.
 ※ Connect the wire firmly making sure that the screws on terminal block are not loose.

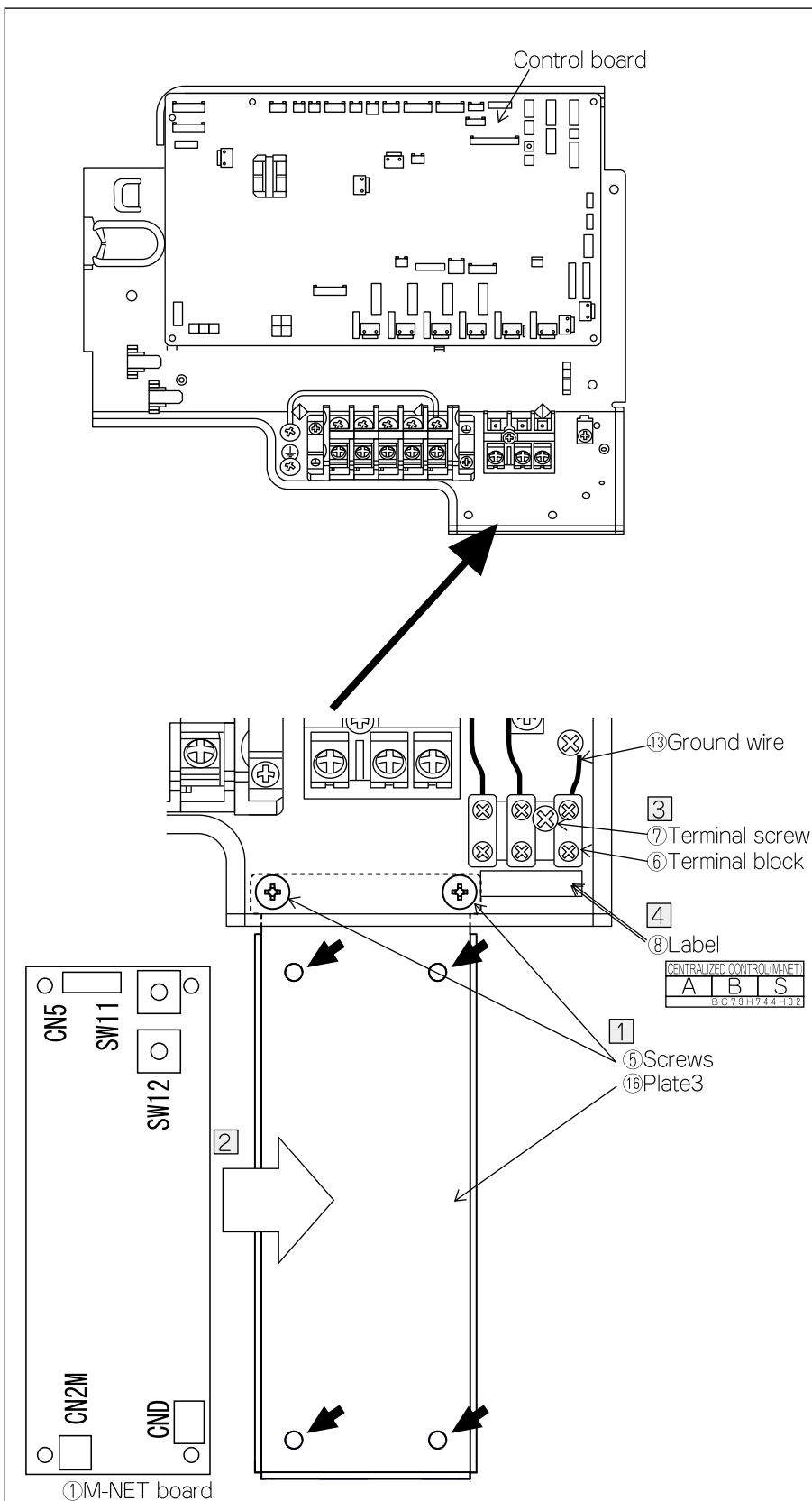
⑨ The lead wires should be tied together with the other lead wires with the pull tight ⑭ not to loose.
 Wiring length is adjusted according to apparatus.

It progresses to the ⑫ page
 "3. Wiring method for M-NET"

Note1: Use ground wire and screw ⑬ as required to connect the shield of M-NET transmission line to the unit.

Note2: Take great care that no lead wire is caught on anything when installing panels.

2. Installation procedure [Applicable model : Group I]



- ① Attach the Plate 3 ⑯, using two screws ⑤.
- ② Install M-NET board ① (with insulation sheets and supports) on the Plate 3 ⑯ .
※Push it firmly until you hear it “click” .
- ③ Use terminal screw ⑦ to secure terminal block ⑥
※Terminal block ⑥ has a round boss for positioning:Fit the round boss into the positioning hole in steel-plate.
- ④ Paste label ⑧
- ⑤ Use lead wire-A ⑨ to connect CN5 of M-NET board ① connection and CNMNT of outdoor control board.
※Caution
Wire Marking:INV type, Connector color:Red
Always make sure that the markings and the applicable model match. If used incorrectly, parts could be damaged.
- ⑥ Use lead wire-C ⑩ to connect CND of M-NET board ① connection and CNVMNT of outdoor control board.
- ⑦ Use lead wire-D ⑫ to connect CN2M of M-NET board ① connection and terminals A and B of terminal block ⑥ Polarity is not a concern.
※Connect the wire firmly making sure that the screws on terminal block are not loose.
- ⑧ The lead wires should be tied together with the other lead wires with the pull tight ⑭ not to loose.
Wiring length is adjusted according to apparatus.

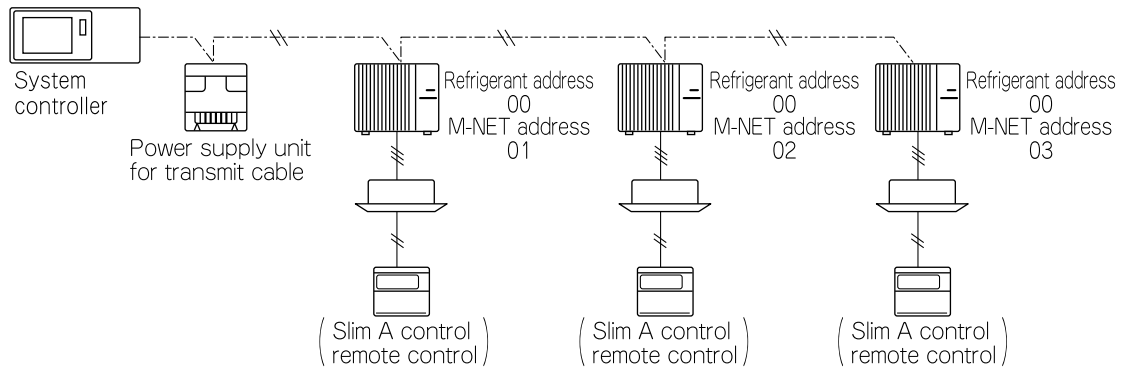
It progresses to the ⑫ page
“3.Wiring method for M-NET”

- Note 1:Use ground wire and screw ⑬ as required to connect the shield of M-NET transmission line to the unit.
- Note 2:Take great care that no lead wire is caught on anything when installing panels.

3. Wiring method for M-NET

(1) Attention

- ① Outside of the unit, the wires for transmission (called for transmit wires later) should keep away (5 cm or more) from power cable not to receive electric noise. (Never put the transmit wires and power cable in the same cable pipe.)
- ② Never supply voltage 220V-240V to the terminals (TB7) for transmission. If the voltage is supplied, it can break the electronic parts on the M-NET board.
- ③ Use the shielded cable (CVVS, CPEVS) of 1.25mm square thickness with 2 wires for the transmission cable. Never use transmit wires of different system with a cable which contains multi wires. The communication of transmit signals will not work properly and it can cause wrong operation.



Between the outdoor units, it is OK that only M-NET wiring (2 wires, no polarity) is done.

(2) M-NET address setting

Make M-NET setting and refrigerant address setting on only outdoor unit. There is no address settings for outdoor unit and remote controller like City Multi system.

The M-NET address setting for taking into centralized control system should be done only to the outdoor unit. The address set number should be 1-50 same as for City Multi indoor unit and make set in order of number for the same group.

	A control slim	City Multi (M-NET)
Indoor unit	—————	1~50
Outdoor unit	1~50	51~100
Remote controller	—————	101~150
System controller	201~250	

The setting should be done by rotary switches SW11 for one figure and SW12 for double figures on M-NET board of the outdoor unit. (Factory settings are all zero.)

< Example >

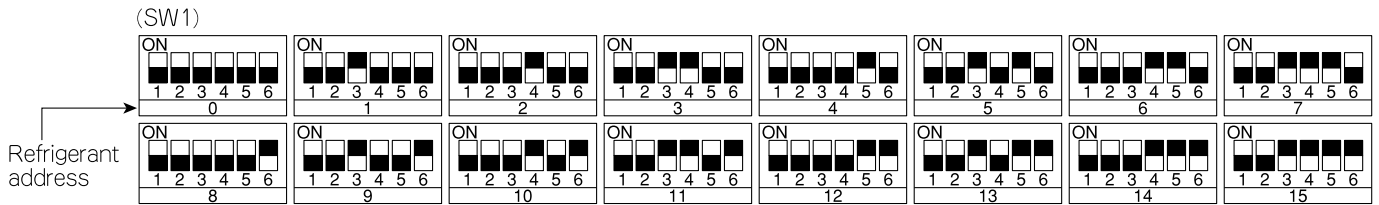
M-NET address No.		1	2	50
Switch setting	SW11 (1st digit)			
	SW12 (2nd digit)			

(3) Refrigerant address setting

In case that the A control Slim is set for group between different refrigerant (when multiple refrigerant system is set in one group), it is necessary to make refrigerant address setting besides the wiring for remote controller (TB5) between the indoor units.

In case that the group setting is not done, be sure to leave the refrigerant address set for 00.

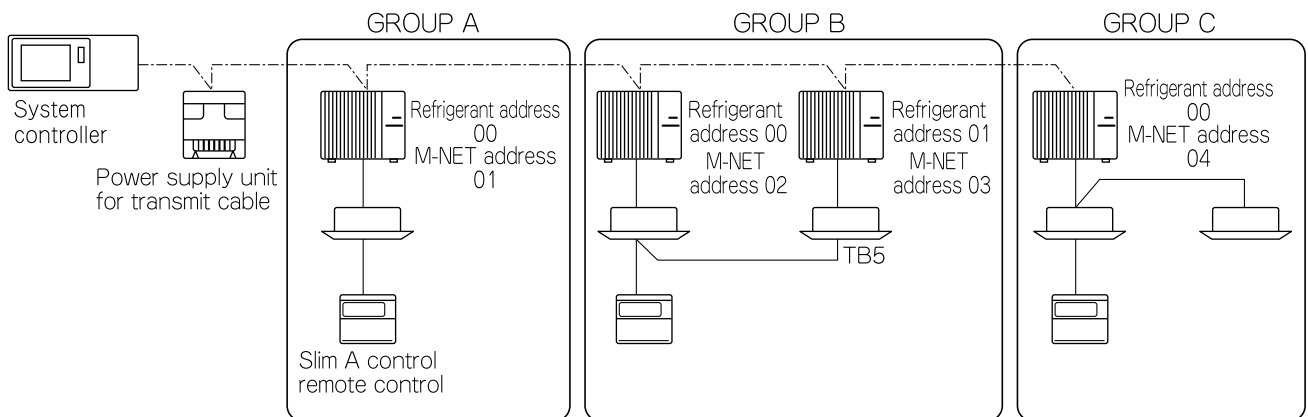
The refrigerant address is set by dip switch SW1 (3-6) on the outdoor controller of the outdoor unit.
(Factory settings are all OFFRefrigerant address 00).



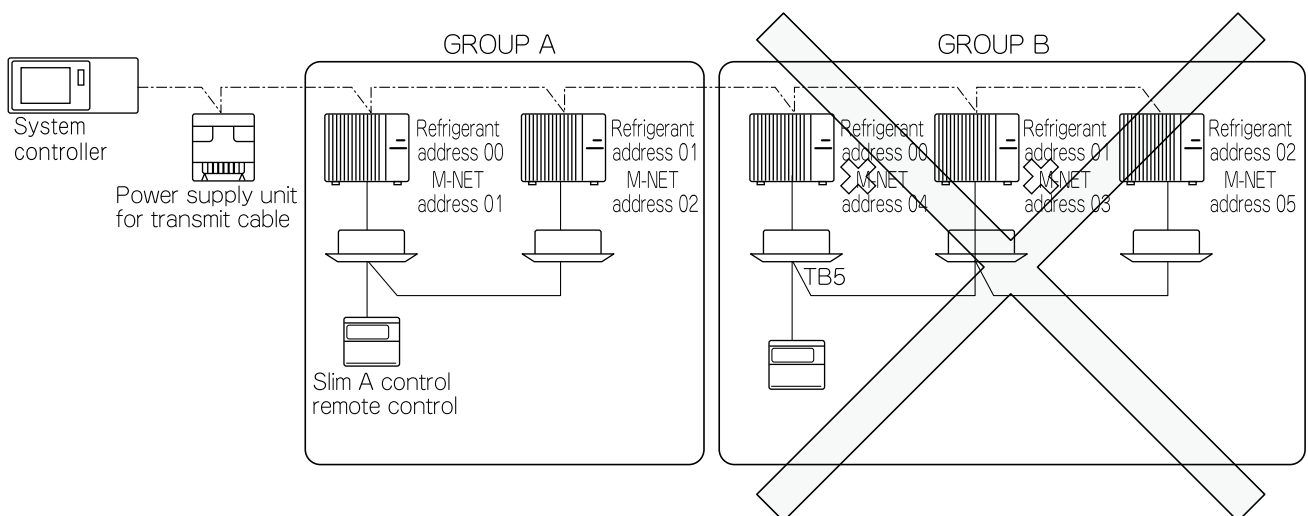
(4) Limitation for address settings

In case of group operation, the M-NET address settings and the refrigerant address settings should be done with the procedure above.

However, make the minimum M-NET address settings in the group for the outdoor unit which has the refrigerant address 00.


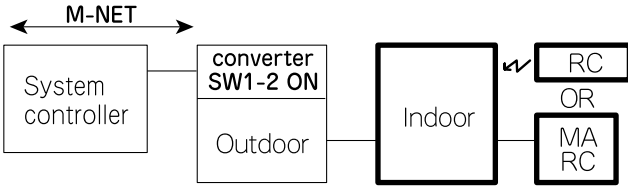

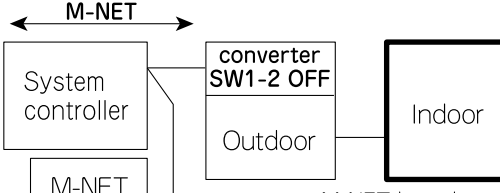


※It does not matter if the refrigerant address settings are same with the different group.

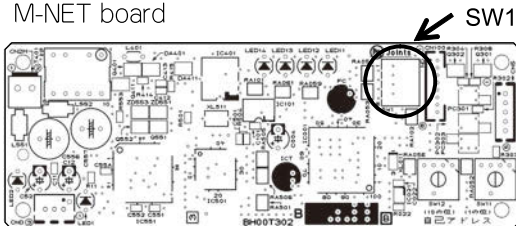


※It is not good with the above setting in the group B because the outdoor unit which has the refrigerant address 00 does not have the minimum M-NET address 3 in the group. Make the outdoor unit of the refrigerant address set with the minimum address in the group like the group A.

(5) Switch 1-2 setting

SW1-2 Selection	Function	Function details	Initial setting	Effective timing
<p>ON</p>  <p>SW1 ■ is the switch position</p>	<p>Turn the switch ON when MA remote controller or wireless remote controller is connected to indoor unit.</p>  <p>converter : M-NET board MA RC : MA remote controller RC : wireless remote controller</p>	<p><FUNCTION> Set the connection of MA-remote controller or wireless remote controller to the indoor unit. ON : exist (initial setting) OFF : not exist</p>	ON	Always
<p>OFF</p>  <p>SW1 ■ is the switch position</p>	<p>Turn the switch OFF when MA remote controller or wireless remote controller is NOT connected to indoor unit.</p>  <p>converter : M-NET board M-NET RC : M-NET remote controller</p>	<p><NOTE> In case of switch is ON, transmission error between converter and M-NET remote controllers does not be detected, and converter operates continuously.</p>		

M-NET board



Attention for A control Slim M-NET connection

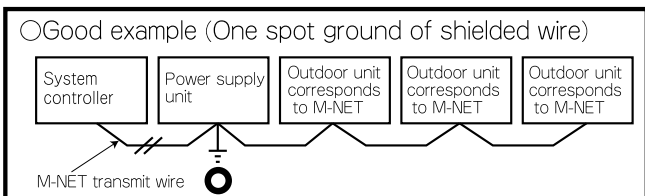
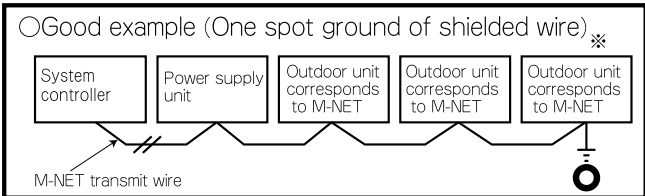
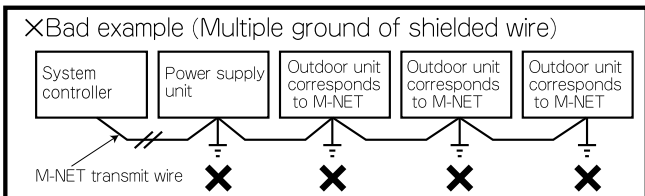
Pay attention to the next points for wiring of shielded wires.

CAUTION

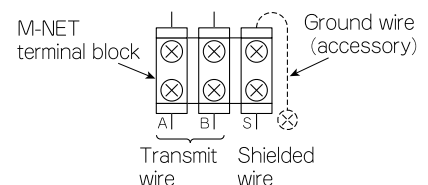
The shielded wires of M-NET transmission should be connected with the ground wire at any only one place of the unit to be connected.

- It can cause the transmission error due to noise.

Outdoor unit digital LED display reads "Ed" "A7" error.
Centralized control remote controller reads "0403" "6607" error.



※In case that the outdoor unit is grounded, connect the ground wire supplied as accessory to the S terminal (secondary) of M-NET terminal block and M-NET Ground terminal inside of electric box with using screws supplied.



mitsubishi electric corporation

HEAD OFFICE : MITSUBISHI DENKI BLDG., 2-2-3, MARUNOUCHI, CHIYODA-KU, TOKYO 100-8310, JAPAN

List of Models on separate sheet

Group	Applicable model	Page	Group	Applicable model	Page	Group	Applicable model	Page
A:	PUHZ-RP1.6/2VHA	3	C:	PUH-P1—4VGA	5	H:	PUHZ-P200/250YHA	10
	PUHZ-RP35/50VHA			PUH-P1—4VGAA			PUHZ-P200/250YHA3	
	PUHZ-RP35/50VHA ₁			PUH-P25—100VGAA			PUHZ-P200/250YHA3R1	
	PUHZ-RP35/50VHA2			PU-P1—4VGA			PUHZ-P200/250YHA3R2	
	PUHZ-RP35/50VHA2 ₁			PU-P1—4VGAA			PUHZ-P200/250YHA3R3	
	PUHZ-RP35/50VHA3			PU-P25—100VGAA			PUHZ-BP170/200/250YHA-A	
	PUHZ-RP35/50VHA4			PUH-P1.6—6YGA			PUHZ-RP200/250YHA2	
	PUZ-A18NHA			PUH-P1.6—6YGAA			PUHZ-RP200/250YKA	
	PUZ-A18NHA2			PUH-P35—140YGAA			PUHZ-RP200YKAR1	
	PUZ-A18NHA3			PU-P1.6—6YGA			PUHZ-RP170/200YKA-A	
	PUZ-A18NHA4		PU-P1.6—6YGAA	PUHZ-HRP200YKA				
	PUY-A12/18NHA		PU-P35—140YGAA	PUHZ-RP280XHA2				
	PUY-A12/18NHA ₁			PUHZ-RP100—140YHA2-A				
	PUY-A12/18NHA2			PUHZ-RP100—140YHA2#1-A				
PUY-A12/18NHA3		PUHZ-RP100—140YKA-A						
PUY-A12/18NHA4		PUHZ-RP100—200YKA2-A						
B:	PUHZ-RP2.5—6VHA	4	D:	PUH-P8/10YE	6	I:	PUHZ-RP100—140YHA	11
	PUHZ-RP3—6VHA-A			PUH-P8/10MYA			PUHZ-RP100—140YHA2	
	PUHZ-RP60—140VHA			PUH-P200/250MYA			PUHZ-RP100—140YHA2 ₁	
	PUHZ-RP71—140VHA-A		E:	PUHZ-RP4—6YHA	7		PUHZ-RP100—140YHA	
	PUHZ-RP60—140VHA ₁			PUHZ-RP100—140YHA			PUHZ-RP100—140YHA2	
	PUHZ-RP71—140VHA ₁ -A			PUHZ-RP100—140YHA2			PUHZ-RP100—140YHA2 ₁	
	PUHZ-RP60—140VHA2			PUHZ-RP100YHA3			PUHZ-RP100YHA3#1	
	PUHZ-RP60—140VHA2 ₁			PUHZ-RP125/140YHA2#2			PUHZ-RP100YHA3#2	
	PUHZ-RP71—140VHA2-A			PUHZ-HRP100/125YHA			PUHZ-RP125/140YHA2R1	
	PUHZ-RP60—100VHA3			PUHZ-HRP100/125YHA2			PUHZ-RP100/125YHA	
	PUHZ-RP60—100VHA3#1			PUHZ-HRP100/125YHA2R1			PUHZ-SHW112/140YHA	
	PUHZ-RP125/140VHA2#2			F:		PUHZ-RP8/10YHA	8	PUHZ-RP8/10YHA-A
	PUHZ-RP71—140VHA2#1-A					PUHZ-RP200/250YHA		PUHZ-RP200/250YHA-A
	PUHZ-RP60/71VHA4					PUHZ-RP200/250YHA-A		PUHZ-RP200/250YHA ₁
	PUHZ-RP71VHA4-A		PUHZ-RP200/250YHA ₁ -A		PUHZ-RP200/250YHA ₂			
	PUHZ-RP71VHA5-A		PUHZ-RP200/250YHA ₂ -A		PUHZ-RP280XHA			
	PUHZ-RP100—140VKA		G:		PUH-P71/100VHA	9		PUH-P71/100VHA ₁
	PUHZ-RP100—170VKA-A				PUH-P71/100VHA#2			PUH-P71/100VHAR3
	PUHZ-RP100—170VKA2-A				PU-P71/100VHA			PU-P71/100VHA ₁
	PUHZ-ZRP60/71VHA				PU-P71/100VHA#2			PU-P71/100VHAR3
	PUHZ-ZRP100-140VKA				PUH-P71—140YHA			PUH-P71—140YHA ₁
	PUHZ-RP80NHA				PUH-P71—140YHA#2			PUH-P71—140YHAR3
	PUHZ-RP80NHA2			PU-P71—140YHA	PU-P71—140YHA ₁			
	PUHZ-P100—140VHA			PU-P71—140YHA#2	PU-P71—140YHA			
	PUHZ-P100—140VHA ₁			PU-P71—140YHA ₁	PU-P71—140YHA ₁			
	PUHZ-P100—140VHA2			PU-P71—140YHAR3	PU-P71—140YHA#2			
	PUHZ-P125/140VHA2 ₁				PU-P71—140YHA			
	PUHZ-P100—140VHA3			PU-P71—140YHA ₁				
	PUHZ-P100—140VHA3R1			PU-P71—140YHA#2				
	PUHZ-P100—140VHA3R2			PU-P71—140YHAR3				
	PUHZ-P125/140VHA3R3			PU-P71—140YHA				
	PUHZ-P100VHA4			PU-P71—140YHA ₁				
	PUHZ-P50—140VHA-S			PU-P71—140YHA#2				
	PUHZ-BP100—140VHA-A			PU-P71—140YHAR3				
	PUHZ-HRP71/100VHA							
	PUHZ-HRP71/100VHA2							
	PUHZ-HRP71/100VHA2R1							
	PUHZ-HRP100VHA2R2							
	PUHZ-SHW80/112VHA							
	PUZ-A24—42NHA							
	PUZ-A24—42NHA2							
	PUZ-A24—42NHA3							
PUZ-A24—42NHA4								
PUZ-A42NHA5								
PUY-A24—42NHA								
PUY-A24—36NHA ₁								
PUY-A24—42NHA2								
PUY-A24—42NHA3								
PUY-A24—42NHA4								
PUY-A42NHA5								
PUZ-HA30/36NHA								
PUZ-HA30/36NHA2								
PUZ-HA30/36NHA4								
PUHZ-P50—140VHA-S								
PUHZ-P50—140VHA-SH								