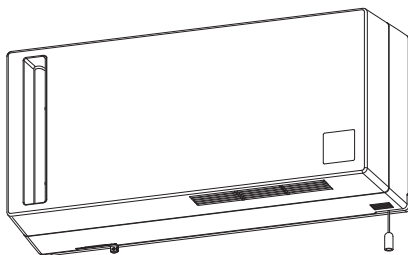


Mitsubishi Lossnay Ventilator
MODELS
VL-50S2-E (pull cord Type)
VL-50ES2-E (wall switch Type)
Operating Instructions
For Customer


Contents	Page
1. Safety precautions	1
2. When using the unit	3
3. Features	4
4. Names of parts	5
5. Before you start the Lossnay	5
6. Operation	6
7. Maintenance	7
8. Troubleshooting	10
9. Specifications	11
10. After-sales servicing	11

Please read these instructions thoroughly to ensure safe and proper use. After reading, store the manual in a handy location for easy access.

Before proceeding with operation, please be sure to read “Safety precautions”, as it will tell you how to operate the Lossnay ventilator properly and safely.

Do not install the unit yourself. (The safety and performance of customer-installed units is not guaranteed.)

If the supply cord is damaged, it must be replaced by the manufacturer, its service agent or a similarly qualified persons in order to avoid a hazard. (VL-50S2-E only)

- Contact your dealer.

1. Safety precautions

Hazards created by mishandling and their severity are indicated by the following markers.

Warning:

This applies to mishandling or misoperation of the product which could lead to a fatal or serious injury.

Caution:

This applies to mishandling or misoperation of the product which will lead to an injury or damage to your home, household effects, etc.

Warning



Prohibited

- Do not cut, damage or physically alter the power cord*1 or subject it to unreasonable bending, pulling, twisting or bundling.

- You could damage the cord, resulting in fire or electric shock.

- Do not turn the Lossnay switch ON or OFF if there is a flammable gas leak.

- Sparks from electric contacts could cause explosions. Open a window to ventilate the room.

- **Do not use the unit in excessively hot areas (40°C or more), near open flames, areas prone to oily smoke, or where it could come in contact with organic solvents.**

- Fire could result.

- **Do not disassemble the unit in ways that require physical alteration or tools.**

- Fire, electric shock or injury could result.

- **Do not let the unit get wet.**

- Fire or electric shock could result.

- **Do not insert or remove the power plug*¹ with wet hands.**

- Electric shock could result.

- **Use at the rated voltage.**

- Fire or electric shock could result.

- **Check that there is no dust on the power plug*¹.**

- A dusty plug could cause fire from a short circuit.

- **Insert the plug*¹ completely into the socket, making sure it is not loose.**

- A loose fit could result in electric shock or fire.

- **Make sure that the outside air intake opening is positioned so that it will not take in combustion gases or other exhaust.**

- If intake air is not fresh, oxygen could become depleted in the room.

- **Always shut off circuit breakers or remove the power plug*¹ from the wall outlet during long periods of disuse.**

- Failure to do so could result in electric shock from deteriorated insulation, or fire from a short circuit.

- **Install the outdoor weather covers packaged with the unit.**

- Rainwater entering the unit could result in electric shock, fire or indoor items getting wet.

- **Immediately halt use in the event of malfunction or breakdown.**

- Continued use of the Lossnay could result in smoke, fire, electric shock or injury.

* Promptly shut off the circuit breaker or remove the power plug*¹ from the wall outlet. Then contact the store of

purchase for inspection and repair.

<Examples of malfunction and breakdown>

- Blades do not turn when power is turned on.

- The unit makes strange noises or vibrates while running.

- Blade rotation is slow or irregular. (Motors require periodic maintenance.)

- You smell burning.

- The unit mount is corroded or damaged.

- **Always shut off circuit breakers or remove the power plug*¹ from the wall outlet before performing maintenance work.**

- Electric shock and burns could result if power is flowing.


Do NOT disassemble


Do not expose to water


No wet hands


You must follow the instructions given.

Caution


Prohibited

- **Do not place combustion equipment in the direct path of the air from the unit.**

- Incomplete combustion could result in accidents.

- **If using a step-ladder for maintenance, be sure to place it on level ground where there is nothing underfoot.**

- Injury could result from falling over.

- **Never attach the unit to the ceiling.**

- Injury could result if the unit falls.

- **Because this product is designed to be installed at a higher location, install the product at least 1.8 m above the floor.**

- Failure to heed this warning may result in injury.


Do NOT touch

- **A fan rotates inside the unit during operation. Never stick anything inside the unit during operation.**

- Injury could result.

- **Do not use the unit in a bathroom or other highly humid location.**

- Electric shock or breakdown could result.

- **Wear gloves when maintaining the unit.**

- Failure to wear gloves could result in injury.

- **After maintenance, reattach parts securely.**

- Injury could result if the unit falls.

- **Never remove the power plug^{*1} by pulling on the cord. Always grasp the plug itself.**
 - Could result in electric shock or shorts, or could cause fires.
- **If the outside air is cold, winds are strong, snow or rain is falling heavily, or there is mist or fine snow, turn the Lossnay off and close the manual shutter.**
 - Water or snow could infiltrate the Lossnay with the air supply, resulting in weather damage.
- **This appliance is not intended for use by persons (including children) with reduced physical sensory or mental capabilities, or lack of experience and knowledge, unless they have been given supervision or instruction concerning use of the appliance**

by a person responsible for their safety. Children should be supervised to ensure that they do not play with the appliance. (This appliance can be used by children aged from 8 years and above and persons with reduced physical, sensory or mental capabilities or lack of experience and knowledge if they have been given supervision or instruction concerning use of the appliance in a safe way and understand the hazards involved. Children shall not play with the appliance. Cleaning and user maintenance shall not be made by children without supervision.)

^{*1} Refers only to VL-50S2-E (Lossnay with plug-in power cord).

2. When using the unit

■ When running in winter, the Lossnay transfers the heat of indoor air to the cold outdoor air as it brings outside air in.

This means that when outside air is colder than about -10 °C, condensation or frost may form on the panel or inside the unit.

Since condensation and frost formation varies with subtle changes in conditions (indoor humidity, air flow and the like), switch operating modes or temporarily stop the unit as conditions dictate.

When dew condensation has formed on the surface of the unit, wipe it off.

Using the following outside air temperatures as a guide, switch the mode to Exhaust only mode. (Refer to page 6 for details of the mode.)

	Outside air temperature
In operation	-10° C or higher
Exhaust only mode	-10° C to -20° C
Stop	-20° C or lower

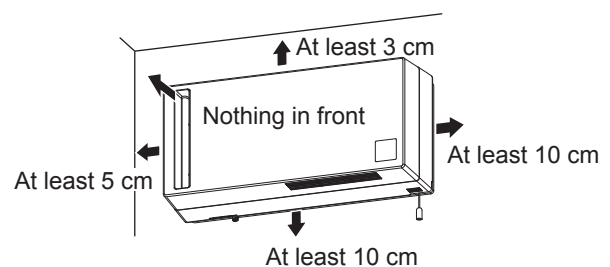
■ Check that the unit is mounted properly before using it.

- **Is the Lossnay mounted on a wall?**
 - This Lossnay is designed to be mounted only on a wall. If mounted on a ceiling, it may drop off.
- **Is the special outdoor hood mounted on an exterior wall?**

- Failure to install the hood may allow wind and rain into the unit, damaging it.

■ Obey the following cautions when using the Lossnay.

- **Do not place objects around the unit.**
 - Such objects may block air outlets or intake openings or may prevent servicing.
 - They may also prevent you from reaching the wall outlet (for plug-in models).



- **Do not use aerosol sprays (such as insect sprays, hair sprays or cleaners) directly on the unit.**

- The panel may warp, weaken, or become damaged.

- **Do not obstruct the panel.**

- Proper ventilation may be impeded.

- **Do not pull the cord diagonally (VL-50S2-E only).**

- The unit will not operate correctly.

- In the following cases, stop the Lossnay and close its shutter.

- If the outside air is cold, winds are strong, snow or rain is falling heavily, there is heavy fog, or fine snow is falling. (Water or snow may infiltrate the Lossnay with the air supply, resulting in weather damage.)
- During cleaning and inspections (Stop the Lossnay temporarily, resuming operation later.)

- Do not pull the panel forcefully.

- Doing so could cause the product to fall.

- ■ Mitsubishi recommends mounting the Lossnay away from the bed.
- If the unit is too close, you may hear operating noise or feel cold air blowing while in bed.
- ■ Bugs smaller than the grate openings of the outdoor hood may be able to infiltrate the unit.
- ■ When wind is strong, there may be a rattling sound from the shutter. (This is not a malfunction.)
- ■ The motor and the air filter require periodic maintenance (replacement). Replacement time will vary with frequency of use.

3. Features

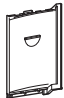
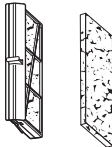

The Lossnay ventilator, from Mitsubishi
Running the Lossnay

The Lossnay moves dirty indoor air outside (exhausting it) and brings clean air from the outside in (providing air supply). When it supplies air, it brings outside air close to room temperature (functioning as a heat exchanger).

* The Lossnay is not an air-conditioner. It is a ventilating fan that exchanges heat as it ventilates.

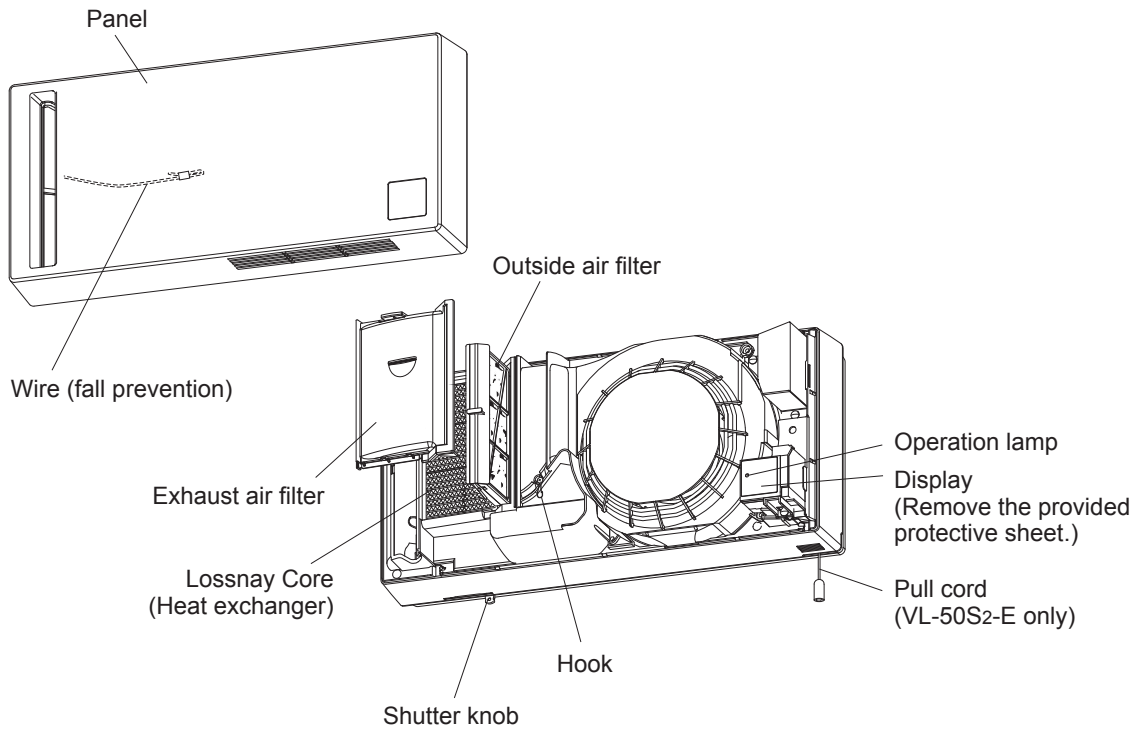
- ◆ Since it not only sends indoor air out but also brings fresh air in, it works well in tightly sealed homes.

- ◆ Since it is a heat exchanger, it provides heating and cooling at a lower cost than ventilators that merely exhaust.
- ◆ Built-in filters reduce the amount of dust, pollen and other particles entering the house in outside air.

1		Exhaust air filter
2		Outside air filter For replacement: P-50F2-E
3		Option High efficiency filter P-50HF2-E

- ◆ To prevent a cold air feeling or dew condensation forming on the unit in winter, Exhaust only mode can be used. (Refer to page 6 for details of the mode.)

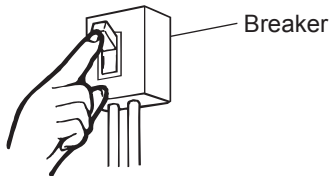
4. Names of parts



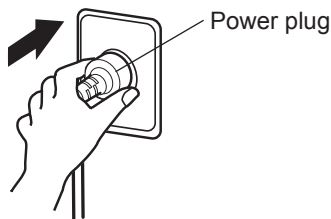
5. Before you start the Lossnay

1. Preparing to turn the power on

1) Turn the circuit breaker on at the distribution board.



2) Insert the power plug into the wall outlet. (VL-50S2-E only)

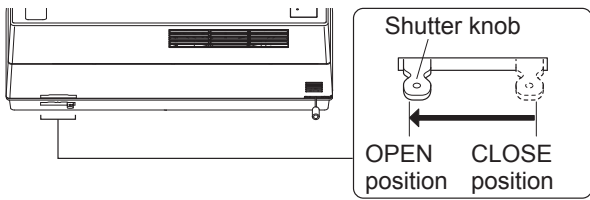


6. Operation

Note

- In the following cases, stop the Lossnay and manually move the shutter knob to the leftmost position (the closed position) to close the shutter.
 - If the outside air is cold, winds are strong, snow or rain is falling heavily, there is heavy fog, or fine snow is falling. (Water or snow may infiltrate the Lossnay with the air supply, resulting in weather damage.)
 - During cleaning and inspections

1. Slide the shutter knob to the open position.

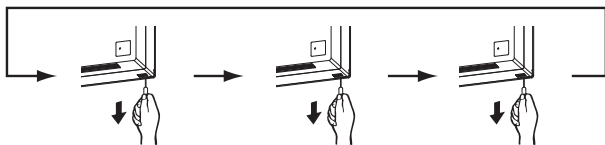


Note

- Make sure that the shutter knob must be located in the open position, and then operate the unit.

2. Operation For VL-50S2-E

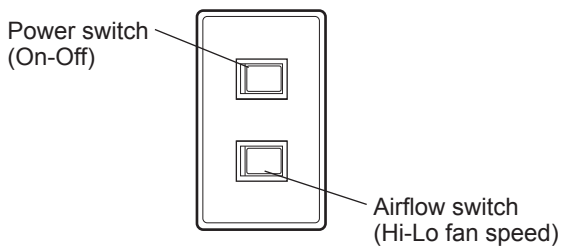
Switching operating modes (airflow)
Pull the cord to switch from HI to LO to Off.



HI operation (Operation indicator lights.) LO operation (Operation indicator lights.) Off (Operation indicator goes out.)

For VL-50ES2-E

Using the control switches.



* The switches shown above are only an example. Operations and indicators may vary depending on the switches installed.

3. Operation in Exhaust only mode

What is Exhaust only mode?

When the outside air temperature becomes low in winter and intake air (air supply) feels cold, or there is a concern about dew condensation on the unit, change the mode to Exhaust only mode.

By closing the shutter at the air supply side and half closing the shutter at the exhaust side, operation with suppressed supply air (cold outside air) is performed.

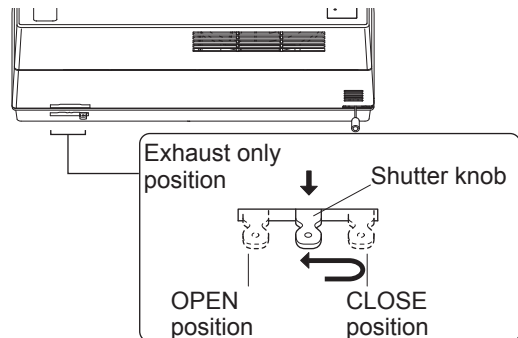
In order to prevent freezing of the heat exchanger, if the outside air temperature becomes -10 °C or lower, make sure to operate in Exhaust only mode.

(*For a guide to outside air temperatures, refer to page 3.)

How to operate Exhaust only mode

Adjust the shutter knob to the Exhaust only position.

- Move the shutter knob to the CLOSE position and then slowly move to the OPEN position and stop at the Exhaust only position.



Note

- When Exhaust only mode is no longer necessary, return the shutter knob to the OPEN position.

7. Maintenance

Remove all dust and dirt on air filters and Lossnay cores at regular intervals in order to prevent a deterioration in the Lossnay functions.

Guideline:

Clean the air filters **at least once every six months**.

Clean the Lossnay cores once every two years. (Frequency should be increased depending on the extent of dirt.)

⚠ Warning:

- **Always shut off circuit breakers or, for the VL-50S2-E, remove the power plug from the wall outlet before performing maintenance work.**
- Electric shock and burns could result if power is flowing.

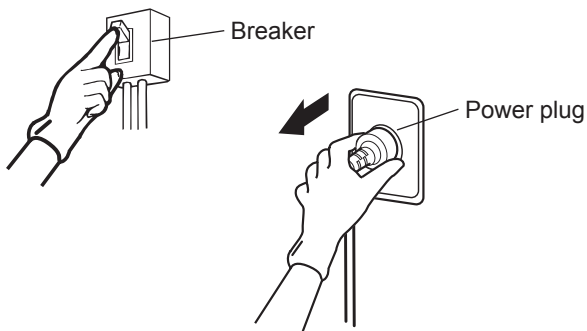
⚠ Caution:

- **Wear gloves when maintaining the unit.**
- Failure to wear gloves could result in injury.
- **If using a step-ladder, be sure to place it on level ground where there is nothing underfoot.**
- Injury could result from falling over.

Removing the parts

(1) Turn the power off

- 1) Turn the Lossnay off.
- 2) Always shut off circuit breakers or, for the VL-50S2-E, remove the power plug from the wall outlet.

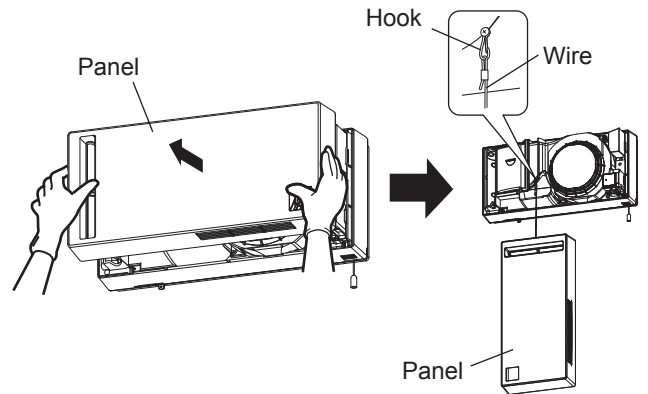


(2) Open the panel.

For horizontal mounting

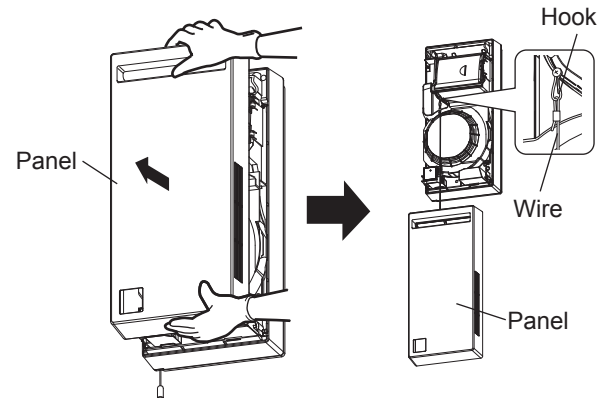
- 1) As shown in the figure, hold the left and right end of the panel and pull toward you.
- 2) Remove the panel and suspend it.
 - When removing the panel (wire) from the main unit, hold the hook and remove the wire.

- Do not shake the suspended panel. (The wallpaper could be damaged.)



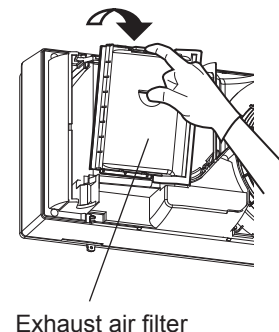
For vertical mounting

- 1) As shown in the figure, hold the top and bottom end of the panel and pull toward you.
- 2) Remove the panel and suspend it.
 - When removing the panel (wire) from the main unit, hold the hook and remove the wire.
 - Do not shake the suspended panel. (The wallpaper could be damaged.)



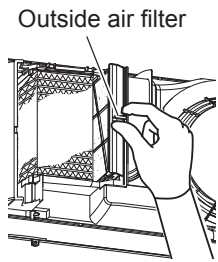
(3) Remove the exhaust air filter.

As shown in the figure, hold the air filter and pull the top of the air filter toward you to detach it from the hooking part on the top to remove it.



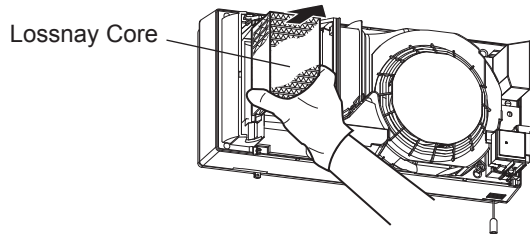
(4) Remove the outside air filter.

Hold the knob of the outside air filter to pull it out.



(5) Remove the Lossnay Core.

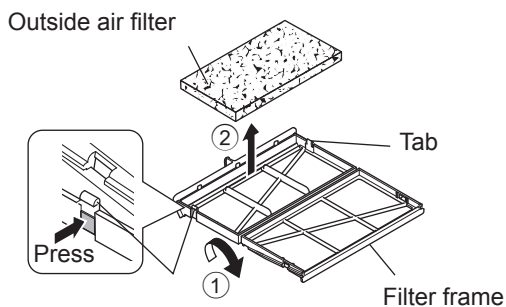
Press the prong of the Lossnay Core's handle and pull the handle toward you to remove the core.



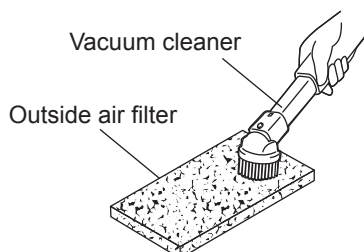
Cleaning

(1) Outside air filter

- 1) Press the tab at two locations to open the filter frame.
- 2) Remove the outside air filter.



- 3) Vacuum the dust from the filter, and then handwash it in water with a neutral detergent or in lukewarm water (up to 40°C). Then dry it thoroughly to remove moisture. Take out the outside air filter.

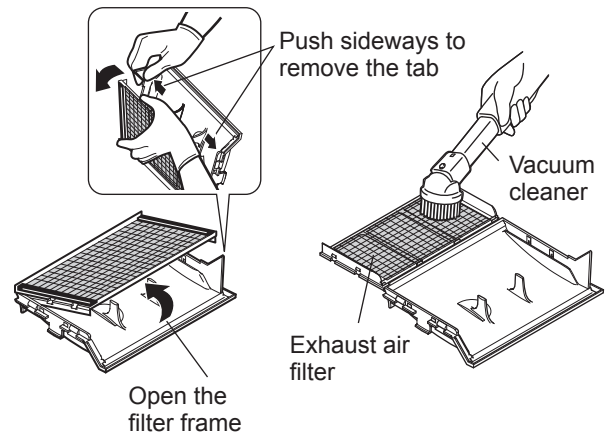


Replacement:

Replace the filter with separately sold parts (P-50F2-E) when it has been washed four times.

(2) Exhaust air filter

- 1) Open the exhaust air filter as shown in the figure.
- 2) Either lightly tap with your hand or remove dust with a vacuum cleaner.
- 3) If it is excessively dirty, wipe with a cloth soaked in water and tightly wrung out.

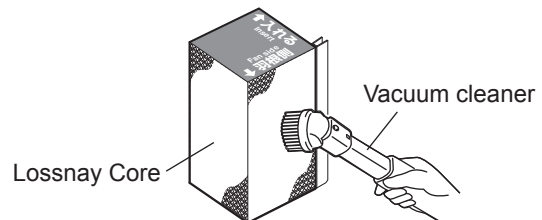


Note

- Never wash with hot water or do rubbing wash.
- Do not dry the filter by directly holding it up to an open flame.
- If a separately available high performance dust filter is used, clean the filter in accordance with the instructions in its Instruction Manual.

(3) Lossnay Core

- Use a vacuum cleaner to remove surface dust.
- Vacuum the surface gently with the vacuum cleaner nozzle.



Note

- Do not expose the Lossnay Core to water, chemicals, or volatile solutions.
- Do not wash Lossnay Core with water.
- Do not expose the Lossnay Core close to open flames.
- Do not press wires, screwdrivers or hard vacuum cleaner nozzles into the surface.

Reassembly and checking after maintenance

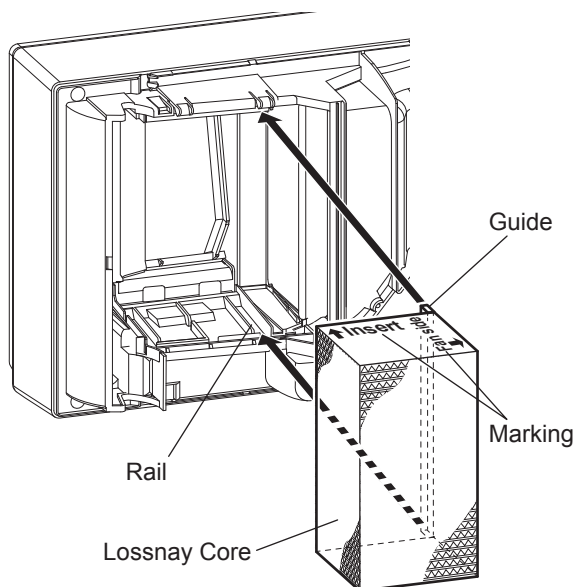
Mount the filter and Lossnay Core by the opposite of the removal procedure.

⚠ Caution

- After maintenance, reattach parts securely.
- Injury could result if the unit falls.

(1) Mount the Lossnay Core.

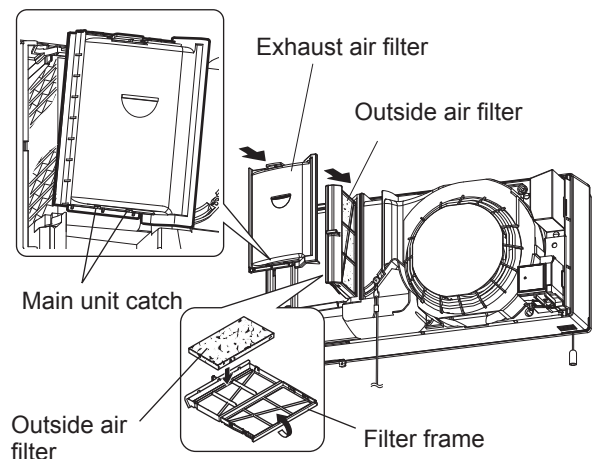
- 1) Check the orientation of the "Insert" and "Fan side" markings on Lossnay Core.
- 2) Insert the Lossnay Core guide along the rail of the main unit.
- 3) Push Lossnay Core deeply until the flange and packing of Lossnay Core make contact.



(2) Mount the outside air filter. (See page 9.)

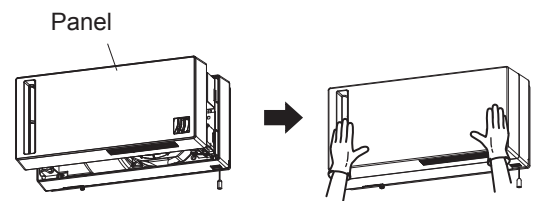
- Place the outside air filter into the filter frame and mount it in the main unit. (Do not confuse the top and bottom.)

(3) Mount the Exhaust air filter



(4) Close the panel.

- Press the panel horizontally against the main unit.



(5) Turn on the circuit breaker or, for the VL-50S2-E, plug the power plug into the wall outlet.

(6) Turn the power on.

(7) After reassembly, check the following.

- Are the filters and the panel attached securely?
- Is the unit making no strange noises?
- Is the unit blowing air? (Be sure to check the unit while it is running. Make sure that the shutter is open.)

Cleaning the panel/main unit

If the panel or main unit becomes dirty, wipe it with a well-wrung cloth soaked in a solution of neutral detergent and lukewarm water (40°C or less), then wipe it with a clean cloth to remove any traces of detergent.

Note

- Use of any of the following solvents in maintenance may warp, weaken or discolor Lossnay components.
 - Paint thinner, alcohol, benzene, gasoline, kerosene, aerosol sprays, alkaline cleaners, chemical wipes, or abrasive-containing detergents, such as cleansers
- Clean any dust off of the plug. (VL-50S2-E only)

8. Troubleshooting

Inspect the unit if any of the following problems occurs. If the problem is not listed below, or the problem persists after inspection, shut off the circuit breaker on the distribution board or, for VL-50S2-E, remove the power plug from the wall outlet, and then contact your dealer.

Model	Problem	Cause	Check the following	Page
VL-50S2-E VL-50ES2-E	Unit does not operate.	No power to main unit.	Check the power plug. (VL-50S2-E only) Check whether a breaker has tripped. Check whether a power failure has occurred.	5
	The unit is louder. The unit is noisy.	The panel or outside air filter is not attached securely.	Reattach the panel or filter.	7
		The outside air filter or exhaust air filter is clogged.	Clean the filter.	7-8
	Less air than normal is coming from the unit.	The outside air filter or exhaust air filter is clogged.	Clean the filter.	7-8
	The operation lamp is not bright.	When the operation mode is changed from HI to LO, the lamp becomes dim.	This is not a malfunction.	—
	Small insects get inside.	Small particles and insects may pass through.	To enhance trapping efficiency, purchase a high performance dust filter.	4
	No air is coming from the unit. Not much air is coming from the unit.	The Lossnay is a heat-exchanging ventilator, so the volume of air will be lower than with an ordinary fan. This is normal.		—
		The shutter is closed.	Open the shutter.	6
	The panel will not close.	The Lossnay Core or outside air filter is not mounted correctly. (A component is out of position or inserted backwards.)	Mounted the component correctly.	7-8
	The incoming air feels cold.	The outside air temperature has dropped.	Turn the unit off temporarily and close the shutter, as dictated by the situation. Operate the unit by setting the shutter position to Exhaust only mode.	5
		Cold air may enter inside if inside the room is in negative pressure for a reason such as that the range hood fan is operating.	This is not a malfunction. Use the unit in Exhaust only mode.	6
	When operating the shutter knob, there is a noise inside.	This sound is the operation sound of the shutter inside the product.	This is not a malfunction.	—
	Cold air or wind comes in more than usual when the unit is stopped.	Is the shutter being kept open?	Move the shutter knob to the CLOSE position.	6
	The unit is loud.	The shutter is closed.	Open the shutter.	5

9. Specifications

Model	Supply voltage (V)	Frequency (Hz)	Notch	Power consumption (W)	Air volume (m ³ /hr)	Temperature exchange efficiency (%)	Noise (dB)	Weight (kg)
VL-50S2-E	220	50	HI	19	51	70	36.5	6.2
			LO	4	15	86	14	
VL-50ES2-E	230	50	HI	20	52.5	69	37	
			LO	4.5	16	85	15	
VL-50ES2-E	240	50	HI	21	54	68	37.5	
			LO	5.0	17	84	15.5	
VL-50ES2-E	220	60	HI	21	54	68	37.5	
			LO	5.5	17	84	15.5	

* Noise values may be higher than those listed depending on the structure of the room.

10. After-sales servicing

Consult with your dealer about the after-sales services provided for this Lossnay product.

- If you hear strange sounds, if no air is blown out or if some other trouble occurs, switch off the power and contact your dealer. Consult with your dealer concerning the cost of inspection or repair work.

■ Retention period of functional repair parts

- We will retain the functional repair parts for six years after terminating production of the product.
- The functional repair part means a part which is necessary to maintain the function of the product.

■ Recommended inspection and maintenance

- After several years of use, the following might occur. We recommend inspection and maintenance by a professional.
- Entry of dust due to deterioration of filters
- Abnormal noise or vibration due to the motor reaching the end of its service life
- Air leakage due to the heat exchanger Lossnay core reaching the end of its service life

The following are consumables:

- Motor
- Supply air filter
- Exhaust air filter
- Lossnay core

■ Repair costs include technical fee, cost of parts, (and business trip charges), etc.

Manufactured by: **MITSUBISHI ELECTRIC CORPORATION**

TOKYO BLDG. 2-7-3, MARUNOUCHI, CHIYODA-KU, TOKYO, 100-8310 JAPAN

Importer in EU: MITSUBISHI ELECTRIC EUROPE B.V.

HARMAN HOUSE, 1 GEORGE STREET, UXBRIDGE, MIDDLESEX, UB8 1QQ, U.K.

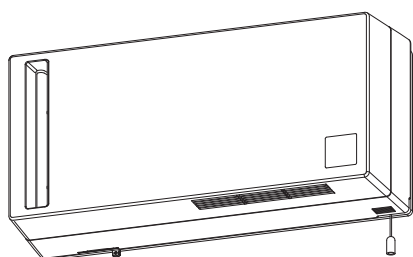
Вентустановка Лосней производства Mitsubishi
МОДЕЛИ

VL-50S2-E (шнуровой выключатель)

VL-50ES2-E (настенный выключатель)

Инструкция по эксплуатации

Для клиентов



Содержание	Страница
1. Меры безопасности	1
2. Особенности эксплуатации	3
3. Характеристики	4
4. Наименование компонентов	5
5. Перед запуском Лосней	5
6. Эксплуатация	6
7. Обслуживание	7
8. Поиск и устранение неисправностей 10	
9. Спецификация	11
10. Послепродажное обслуживание	11

Внимательно прочитайте эту инструкцию для безопасного и правильного использования устройства. После прочтения храните инструкцию в легкодоступном месте.

Перед началом эксплуатации внимательно прочитайте раздел «Меры безопасности», в котором рассказывается, как правильно и безопасно использовать вентустановку Лосней.

Не устанавливайте устройство самостоятельно. (Безопасная и эффективная работа установки в этом случае не гарантируется.)

Замена поврежденного электрокабеля должна производиться производителем, авторизованной сервисной компанией или квалифицированными специалистами. (Только для VL-50S2-E)

- Обратитесь к дилеру.

1. Меры безопасности

Опасные ситуации, возникающие вследствие неправильного обращения с устройством, и степень их серьезности обозначены следующими символами.

Предупреждение:

Этот символ указывает на неправильное обращение или неправильную эксплуатацию устройства, которые могут привести к смертельным или серьезным травмам.

Внимание:

Этот символ указывает на неправильное обращение или неправильную эксплуатацию

устройства, которые могут привести к порче или повреждению интерьера, имущества и т.д.

Предупреждение



Запрещено

- Запрещено перерезать, чрезмерно натягивать, изгибать, скручивать кабель электропитания *1, связывать его в жгут, повреждать иным образом или вносить изменения в его конструкцию.

- Это может привести к повреждению кабеля и стать причиной возгорания или поражения электрическим током.

- **Не включайте и не выключайте Лоссней в случае утечки воспламеняющегося газа.**

- Искры от электрических контактов могут стать причиной взрыва. Откройте окна и проветрите помещение.

- **Не используйте устройство при слишком высокой температуре воздуха (40°C и выше), вблизи открытого огня, при задымлении из-за горения нефтепродуктов или в местах возможного контакта с органическими растворителями.**

- Это может привести к возгоранию.

- **Не разбирайте устройство, применяя инструменты или физические усилия.**

- Это может привести к возгоранию, поражению электрическим током или травмам.

- **Берегите устройство от воздействия влаги.**

- Возможно возгорание или поражение электрическим током.

- **Не вставляйте и не вынимайте вилку шнура питания*1 мокрыми руками.**

- Это может привести к поражению электрическим током.

- **Не подавайте на устройство напряжение выше номинального.**

- Возможно возгорание или поражение электрическим током.

- **Не допускайте накопления пыли на вилке питания*1.**

- Скопление пыли может привести к возгоранию в результате короткого замыкания.

- **Вставляйте вилку*1 в розетку до упора.**

- Наличие зазора может привести к поражению электрическим током или возгоранию.

- **Убедитесь, что воздухозаборник наружного воздуха расположен таким образом, что в него не будут попадать дым или другие газы.**

- Если входящий воздух не свежий, концентрация кислорода в помещении может снижаться.

- **При длительном простое устройства переводите автоматический выключатель в положение «Выключено» или вынимайте вилку шнура питания*1 из розетки.**

- Невыполнение этого требования может привести к поражению электрическим током при повреждении изоляции или возгоранию от короткого замыкания.

- **При установке устройства вне помещения используйте защитный козырек.**

- Попадание дождевой воды в устройство может привести к поражению

электрическим током, возгоранию или проникновению влаги в помещение.

- **Немедленно прекратите использование устройства в случае неисправности или поломки.**

- Дальнейшее использование установки Лоссней может привести к появлению дыма, возгоранию, поражению электрическим током или травмам.

* Незамедлительно переведите выключатель в положение «Выключено» или выньте вилку электропитания*1 из розетки.

Затем обратитесь к поставщику для осмотра и ремонта.

<Пример неисправности или поломки.>

- При включении питания вентилятор не вращается.

- При работе устройства раздаются странные звуки или появляется вибрация.

- Вентилятор вращается медленно или неравномерно. (Электродвигатель требует периодического обслуживания.)

- Ощущается запах горения.

- Крепление устройства поржавело или повреждено.

- **Всегда отключайте автоматический выключатель или вынимайте вилку электропитания*1 из розетки перед техническим обслуживанием.**

- Возможно поражение электрическим током или ожоги.

Внимание

 **Запрещено**

- **Не размещайте топочное оборудование на пути забора воздуха устройства.**

- Неполное сгорание может привести к несчастному случаю.

- **Если для обслуживания используется стремянка, устанавливайте ее на ровной поверхности, свободной от посторонних предметов.**

- Работая на высоте, будьте осторожны.

- **Запрещено крепить устройство к потолку.**

- Падение устройства может привести к травмам.

- **Устройство должно устанавливаться на высоте не менее 1,8 м над уровнем пола.**

- Несоблюдение этого требования может привести к травме.

- **Во время работы устройства внутри него вращается вентилятор. Избегайте попадания посторонних предметов внутрь устройства во время работы.**

- Это может привести к травмам.

- **Не используйте устройство в ванной или других местах с повышенной влажностью.**

 **Не трогайте**

 **Следуйте инструкциям.**

 **Не разбирайте**

 **Не допускайте попадания воды**

 **Не трогайте мокрыми руками**

 **Следуйте инструкциям.**

- Это может привести к поражению электрическим током или неисправности.
- **При обслуживании устройства надевайте перчатки.**
 - Перчатки обеспечивают защиту от травм.
- **После обслуживания надежно закрепите детали устройства.**
 - Падение устройства может привести к травмам.
- **Вынимая вилку шнура питания из розетки^{*1}, не тяните за провод. Беритесь только за саму вилку.**
 - Это может привести к поражению электрическим током, короткому замыканию или возгоранию.
- **При низкой температуре наружного воздуха, сильном ветре или дожде, метели, тумане или мелком снеге выключите Лоссней и закройте ручную заслонку.**
 - Попадание воды или снега в Лоссней с входящим воздухом может привести к повреждениям установки.

- Люди с ограниченными физическими или умственными возможностями, дети, а также люди, не имеющие соответствующего опыта и знаний, могут пользоваться данным устройством только под присмотром лиц, ответственных за их безопасность, и только после соответствующего обучения. Дети должны быть под присмотром, исключаям игры с устройством. (Дети старше 8 лет, люди с ограниченными физическими или умственными возможностями, а также люди, не имеющие соответствующего опыта и знаний, могут пользоваться устройством только под присмотром лиц, отвечающих за их безопасность, и только после обучения правилам безопасной эксплуатации и разъяснения связанных с ней рисков. Дети не должны играть с прибором. Очистка и обслуживание устройства не должна выполняться детьми без присмотра.)

^{*1} Относится только к VL-50S2-E (Лоссней с вилкой для подключения к источнику питания).

2. Особенности эксплуатации

■ При работе в зимний период Лоссней передает тепло внутреннего воздуха входящему холодному наружному воздуху.

Это означает, что при температуре наружного воздуха ниже -10°C на панели корпуса или внутри устройства может образовываться конденсат или иней.

Конденсат или иней могут образовываться даже при незначительных колебаниях внешних условий (влажность внутреннего воздуха, поток воздуха или подобное), поэтому иногда приходится переключать режим или временно останавливать устройство.

При образовании конденсата на поверхности устройства вытрите его.

Ориентируясь на приведенные далее значения температуры наружного воздуха, установите режим «Только вытяжка» (Exhaust only). (Подробные сведения о режиме см. на стр. 6.)

	Температура наружного воздуха
Рабочий режим	От -10 °C и выше
Только вытяжка	От -10 °C до -20 °C
Не работает	-20 °C и ниже

■ Перед использованием устройства убедитесь, что оно установлено правильно.

- Лоссней закреплен на стене?

- Эта модель Лоссней предназначена только для крепления на стене. При установке на потолке устройство может упасть.

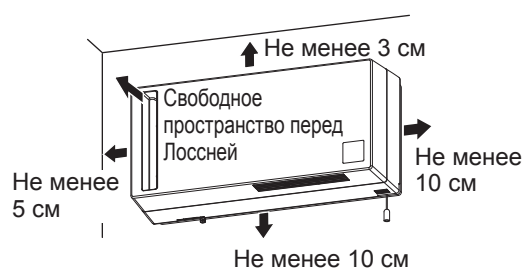
- Наружный воздухозаборник установлен на наружной стене?

- При неправильной установке в воздухозаборник может попадать ветер и дождь, что приводит к неисправностям.

■ Соблюдайте следующие меры предосторожности при использовании Лоссней.

- Пространство вокруг Лоссней должно быть свободно от посторонних предметов.

- Они могут блокировать вход или выход воздуха и мешать обслуживанию устройства.
- Они также могут затруднять доступ к розетке (для подключения устройства).



- Не распыляйте аэрозоли (такие как спрей против насекомых, лаки для волос или моющие средства) непосредственно на устройство.

- Это может привести к деформации панели корпуса или его повреждению.

- Не накрывайте панель корпуса устройства.

- Может быть затруднена правильная вентиляция устройства.

- Тяните шнур натяжного выключателя строго вниз без перекоса (только для VL-50S2-E).

- Иначе возможны сбои в работе устройства.

- В указанных ниже случаях необходимо остановить Лоссней и закрыть заслонку.
- При низкой температуре наружного воздуха, сильном ветре или дожде, метели, тумане или мелком снеге. (Попадание воды или снега в Лоссней с входящим воздухом может привести к повреждениям установки.)
- Во время очистки или осмотра (Временно остановите Лоссней и возобновите работу позже.)
- Не тяните за панель слишком сильно.
- Устройство может упасть.

- Mitsubishi рекомендует устанавливать Лоссней на некотором расстоянии от кровати.
- Если устройство располагается слишком близко к кровати, вы можете слышать шум работы устройства или ощущать поток холодного воздуха.
- Мелкие насекомые могут проникнуть в устройство через отверстия наружного воздухозаборника.
- При сильном ветре заслонка может издавать грохочущий звук. (Это не является неисправностью.)
- Электродвигатель и воздушный фильтр требуют периодического обслуживания (замены).
- Периодичность замены зависит от частоты использования.

3. Характеристики

Вентустановка Лоссней от Mitsubishi Эксплуатация Лоссней

Лоссней выводит загрязненный воздух из помещения наружу (вытяжная вентиляция) и подает чистый наружный воздух внутрь помещения (приточная вентиляция). Наружный воздух подается с температурой, близкой к комнатной (т.е. устройство работает как теплообменник).

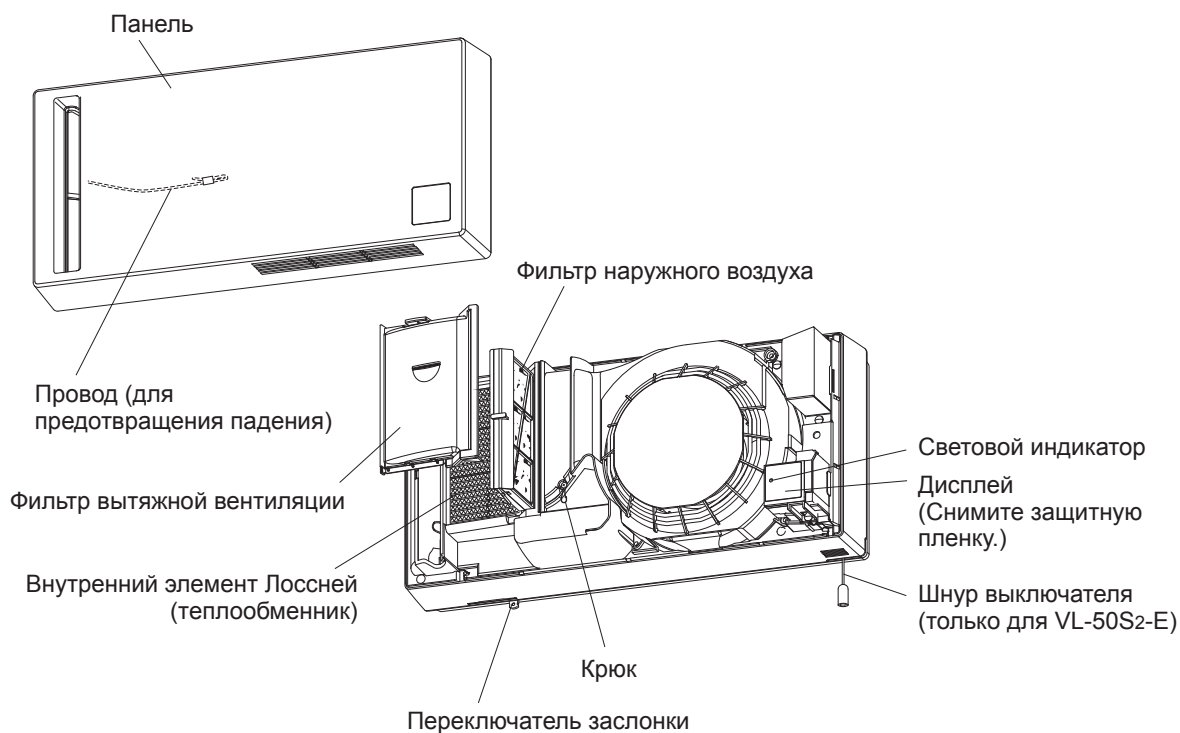
* Лоссней не является кондиционером. Это вентустановка, одновременно выполняющая функции приточной и вытяжной вентиляции с функциями теплообменника.

- ◆ Так как Лоссней не только выводит внутренний воздух наружу, но и подает свежий воздух внутрь, оптимальная работа устройства возможна только в плотно закрытых помещениях.
- ◆ Выполняя функцию теплообменника, Лоссней обеспечивает более экономичный нагрев и охлаждение, чем обыкновенные вытяжные вентиляторы.
- ◆ Встроенные фильтры уменьшают количество пыли, пыльцы и других частиц, проникающих в помещение с наружным воздухом.

1		Фильтр вытяжной вентиляции
2		Фильтр наружного воздуха Для замены: P-50F2-E
3		Дополнительный высокоэффективный фильтр P-50HF2-E

- ◆ Во избежание подачи в помещение морозного воздуха или образования конденсата на устройстве в зимнее время года его можно использовать в режиме «Только вытяжка». (Подробные сведения о режиме см. на стр. 6.)

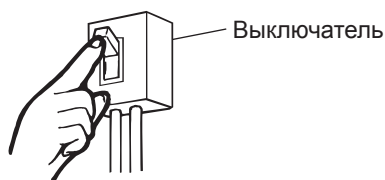
4. Наименование компонентов



5. Перед запуском Лоссней

1. Подготовка к включению питания

- 1) Переведите автоматический выключатель на распределительной панели в положение «Включено».



- 2) Вставьте вилку шнура питания в розетку. (Только для VL-50S2-E)

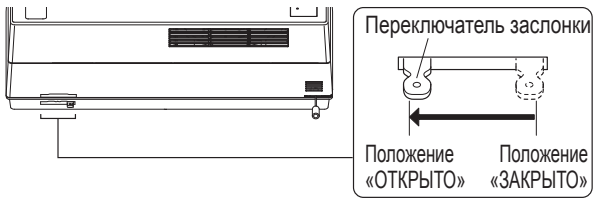


6. Эксплуатация

Примечание

- В перечисленных ниже случаях остановите Лоссней и вручную закройте заслонку, передвинув переключатель в крайнее левое положение.
- При низкой температуре наружного воздуха, сильном ветре или дожде, метели, тумане или мелком снеге. (Попадание воды или снега в Лоссней с входящим воздухом может привести к повреждениям установки.)
- Во время очистки или осмотра.

1. Передвиньте переключатель заслонки в положение «Открыто».



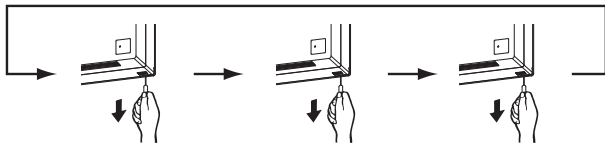
Примечание

- Убедитесь, что переключатель заслонки установлен в положение «открыто», и включите устройство.

2. Эксплуатация

Для VL-50S2-E

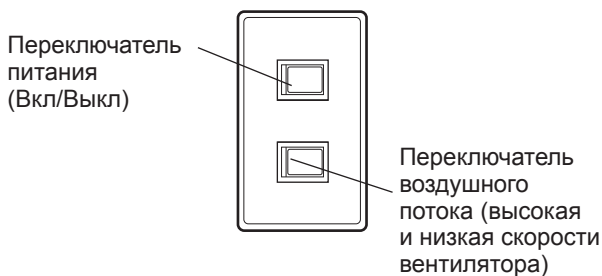
Переключение режимов работы (воздушного потока)
Чтобы выбрать высокую (HI), низкую (LO) скорость работы или выключить установку (OFF), потяните за шнур.



Высокая скорость работы (HI) Низкая скорость работы (LO) Выключение (OFF)
(Индикатор работы включен) (Индикатор работы выключен)

Для VL-50ES2-E

Использование переключателей.



* На рисунке переключатели изображены схематически. Их функции и индикаторы отличаются в зависимости от модели установки.

3. Работа в режиме «Только вытяжка»

Сведения о режиме

Если зимой из-за снижения наружной температуры поступающий воздух слишком холодный или же на поверхности устройства образуется конденсат, переведите устройство в режим «Только вытяжка».

Если закрыть заслонку со стороны приточного воздуховода, а со стороны вытяжного воздуховода оставить ее наполовину открытой, холодный воздух с улицы не будет поступать в помещение.

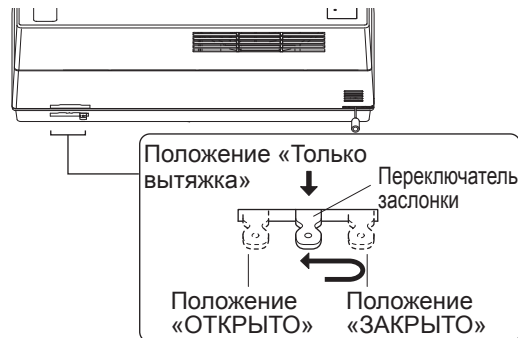
Во избежание замерзания теплообменника, если температура наружного воздуха опустилась до -10 °C или ниже, использовать устройство следует исключительно в режиме «Только вытяжка».

(*Сведения о режимах работы устройства при разных значениях температуры наружного воздуха приведены на стр. 3.)

Эксплуатация устройства в режиме «Только вытяжка»

Передвиньте переключатель заслонки в положение «Только вытяжка».

- Установите переключатель заслонки в положение «ЗАКРЫТО» и затем медленно переводите его в положение «ОТКРЫТО», оставив его в положении «Только вытяжка».



Примечание

- Когда необходимость эксплуатации устройства в режиме «Только вытяжка» исчезнет, снова установите переключатель в положение «ОТКРЫТО».

7. Обслуживание

Во избежание ухудшения работы Лосснея регулярно удаляйте пыль и грязь с воздушных фильтров и теплообменника.

Указания:

Чистить воздушные фильтры следует **не реже, чем раз в полгода**

Чистить теплообменник Лоссней следует раз в два года.

(В зависимости от степени загрязнения может потребоваться более частая чистка.)

⚠ Предупреждение:

- **Перед обслуживанием обязательно отключайте питание или (для модели VL-50S2-E) вынимайте вилку шнура питания из розетки перед обслуживанием.**

- Возможно поражение электрическим током или ожоги.

⚠ Внимание:

- **При обслуживании устройства надевайте перчатки.**

- Перчатки обеспечивают защиту от травм.

- **Если используется стремянка, устанавливайте ее на ровной поверхности, свободной от посторонних предметов.**

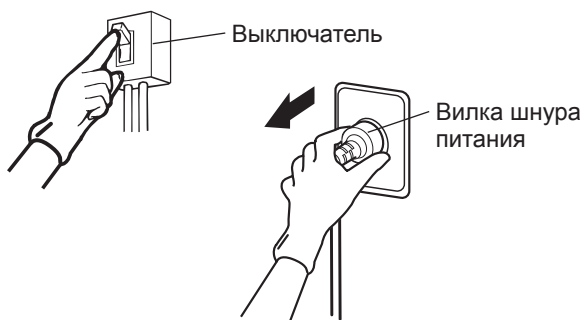
- Работая на высоте, будьте осторожны.

Демонтаж деталей устройства

(1) Выключите питание

1) Выключите электропитание Лосснея.

2) Обязательно отключайте питание выключателем или (для модели VL-50S2-E) вынимайте вилку питания из розетки.



(2) Откройте панель.

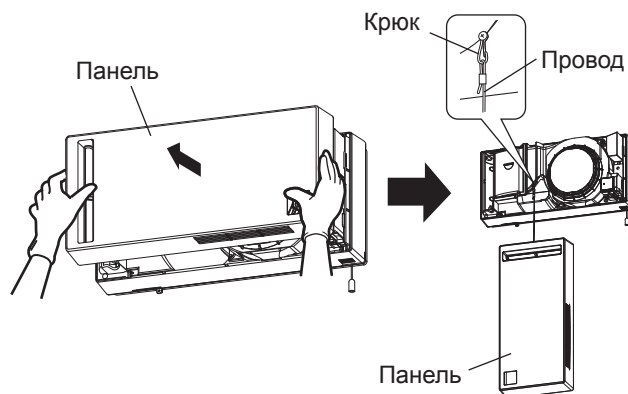
Горизонтальная установка

1) Возьмитесь за левый и правый края панели и потяните ее на себя, как показано на рисунке.

2) Снимите и подвесьте панель на крюк.

- Чтобы снять панель (провод) с основного блока, снимите провод с крюка.

- Не раскачивайте подвешенную панель. (Это может повредить обои.)



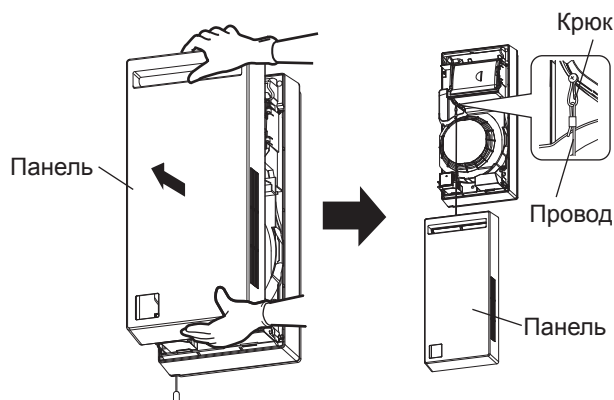
Вертикальная установка

1) Возьмитесь за верхний и нижний края панели и потяните ее на себя, как показано на рисунке.

2) Снимите и подвесьте панель на крюк.

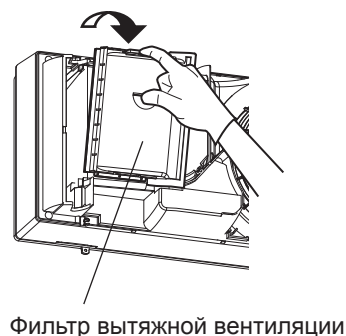
- Чтобы снять панель (провод) с основного блока, снимите провод с крюка.

- Не раскачивайте подвешенную панель. (Это может повредить обои.)



(3) Снятие фильтра вытяжной вентиляции.

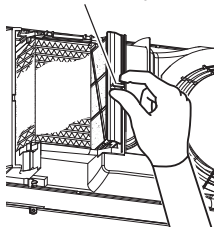
Возьмитесь за воздушный фильтр и потяните его верхнюю часть на себя, чтобы снять с верхнего крюка, как показано на рисунке.



(4) Снятие фильтра наружного воздуха.

Возьмитесь за фиксатор фильтра наружного воздуха и вытяните его наружу.

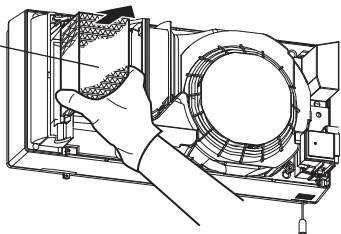
Фильтр наружного воздуха



(5) Снятие теплообменника.

Для снятия теплообменника нажмите на защелку ручки теплообменника и потяните его за ручку на себя.

Теплообменник Лоссней

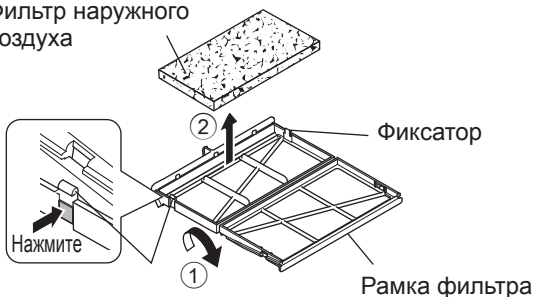


Очистка

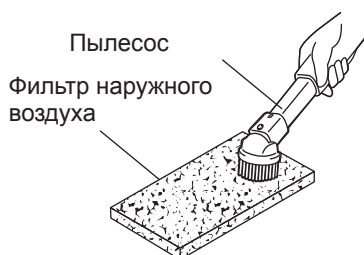
(1) Фильтр наружного воздуха

- 1) Нажмите два фиксатора, чтобы открыть раму фильтра.
- 2) Снимите фильтр наружного воздуха.

Фильтр наружного воздуха



- 3) Удалите пыль с фильтра пылесосом. Затем промойте фильтр вручную с нейтральным моющим средством или в теплой воде (до 40 °C). Тщательно высушите фильтр, чтобы в нем не осталось влаги.



Замена:

После четырех промывок фильтра установите новые картриджи (P-50F2-E), которые продаются отдельно.

(2) Фильтр вытяжной вентиляции

- 1) Откройте фильтр вытяжной вентиляции, как показано на рисунке.
- 2) Слегка постучите по фильтру рукой или удалите пыль пылесосом.
- 3) В случае сильного загрязнения протрите фильтр смоченной в воде и тщательно выжатой тряпкой.



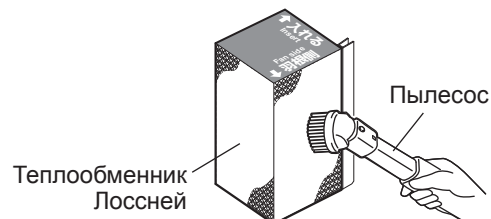
Примечание

- Запрещено мыть фильтр горячей водой или сильно тереть его.
- Не сушите фильтр над источником открытого огня.
- В случае использования высокоэффективного фильтра (продается отдельно) следуйте указаниям по его очистке, приведенным в руководстве по эксплуатации.

(3) Теплообменник Лоссней

Для удаления пыли с поверхности используйте пылесос.

- Аккуратно очистите поверхность насадкой пылесоса.



Примечание

- Не подвергайте теплообменник Лоссней воздействию воды, химических или летучих веществ.
- Не мойте теплообменник.
- Не подносите теплообменник Лоссней близко к открытому пламени.
- Не прижимайте провода, отвертку или насадку пылесоса к поверхности теплообменника.

Сборка и проверка после обслуживания

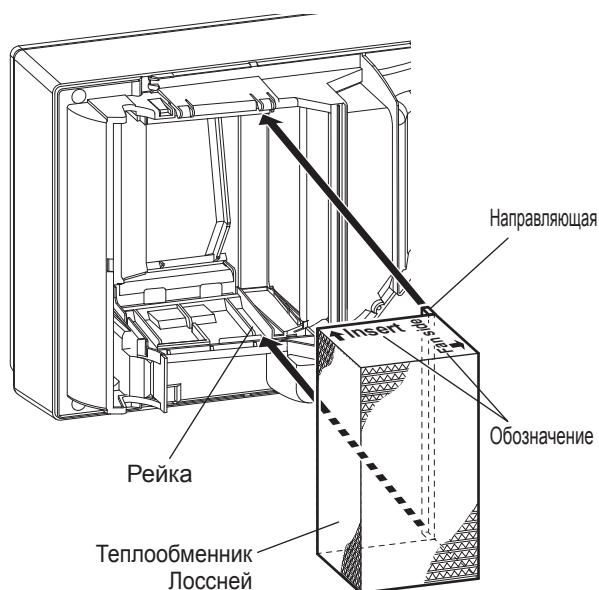
Установите фильтр и теплообменник Лоссней, выполнив процедуру демонтажа в обратном порядке.

⚠ Внимание

- После обслуживания надежно закрепите детали устройства.
- Падение устройства может привести к травмам.

(1) Установите теплообменник Лоссней.

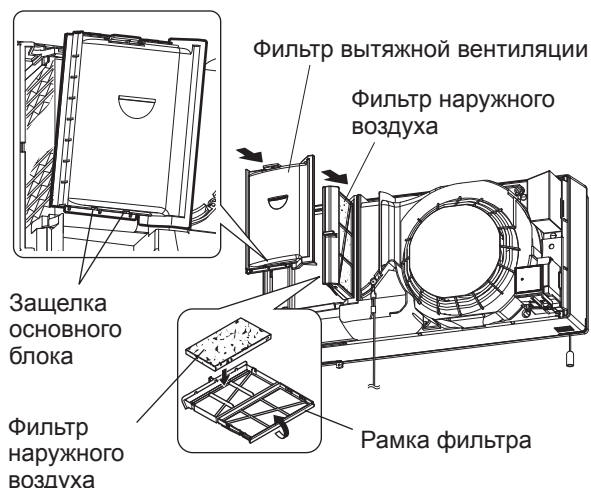
- 1) Расположите теплообменник в соответствии с нанесенными на него отметками «Insert» («Вставить») и «Fan Side» («Сторона вентилятора»).
- 2) Вставьте направляющую теплообменника по рейке на основном блоке.
- 3) Задвиньте теплообменник до упора, чтобы фланцы соприкасались с уплотнителем на теплообменнике.



(2) Установите фильтр наружного воздуха. (См. страницу 9)

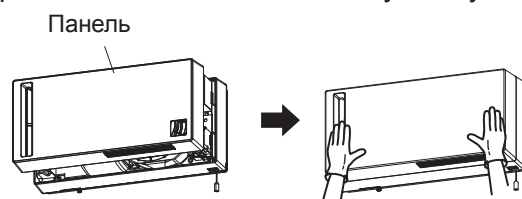
- Разместите фильтр наружного воздуха в рамке фильтра и установите в основной блок. (Не перепутайте верх и низ)

(3) Установите фильтр наружного воздуха.



(4) Закройте панель.

- Прижмите панель к основному блоку.



(5) Переведите автоматический выключатель в положение «Включено» или (для VL-50S2-E) вставьте вилку шнура питания в розетку.

(6) Включите питание.

(7) После сборки проверьте следующее.

- Фильтры и панель корпуса закреплены надежно?
- При работе устройства не слышны странные звуки?
- Ощущается поток воздуха из вентустановки? (Проверьте устройство во время работы. Убедитесь, что заслонка открыта.)

Очистка панели/основного блока

Если панель или основной блок загрязнены, протрите их хорошо отжатой тканью, смоченной в растворе нейтрального моющего средства и теплой воды (макс. 40°C), а затем протрите чистой тканью для удаления следов моющего средства.

Примечание

- Использование любого из следующих растворителей при обслуживании может привести к деформации или изменению цвета компонентов Лоссней.
- Растворитель для краски, спирт, бензол, бензин, керосин, аэрозольные распылители, щелочные моющие средства, химические салфетки, моющие средства, содержащие абразивы, например чистящий порошок.
- Очистите пыль с вилки электропитания. (Только для VL-50S2-E)

8. Поиск и устранение неисправностей

При возникновении указанных ниже проблем проведите осмотр установки. Если проблемы нет в списке или ее не удалось устранить после осмотра, отключите питание на распределительной панели или (для модели VL-50S2-E) выньте вилку питания из розетки и обратитесь к дилеру.

Модель	Проблема	Причина	Проверьте	Стр.
VL-50S2-E VL-50ES2-E	Блок не работает.	Отсутствует электропитание устройства.	Проверьте вилку шнура питания. (Только для VL-50S2-E) Проверьте автоматический выключатель. Проверьте, нет ли сбоя электропитания.	5
	Блок работает слишком громко. При работе блока слышен шум.	Панель или фильтр вытяжной вентиляции не закреплены.	Снимите и снова установите панель и фильтр.	7
		Фильтр наружного воздуха или фильтр вытяжной вентиляции засорены.	Очистите фильтр.	7–8
	Поток воздуха из блока меньше, чем обычно.	Фильтр наружного воздуха или фильтр вытяжной вентиляции засорены.	Очистите фильтр.	7–8
	Световой индикатор светится тускло.	При переключении с высокой (HI) на низкую (LO) скорость работы световой индикатор тускнеет.	Это не является неисправностью.	—
	Внутрь попадают мелкие насекомые.	Внутрь устройства могут попадать мелкие частицы и насекомые.	Во избежание данной проблемы установите высокоэффективный пылевой фильтр.	4
	Из блока не выходит воздух. Из блока выходит мало воздуха.	Лоссней является теплообменной вентустановкой, поэтому объем воздуха в нем ниже, чем в обыкновенной вентустановке. Это не является неисправностью.	—	—
		Заслонка закрыта.	Откройте заслонку.	6
	Панель не закрывается.	Теплообменник Лоссней или фильтр наружного воздуха установлен неправильно. (Установлен неправильно или вставлен не той стороной.)	Установите компонент правильно.	7–8
	Входящий воздух слишком холодный.	Снизилась температура наружного воздуха.	Выключите устройство и временно закройте заслонку до изменения наружных условий. Установите заслонку в положение «Только вытяжка».	5
		Холодный воздух может попасть в помещение, если внутри образуется отрицательное давление из-за работы вытяжного вентилятора.	Это не является неисправностью. Используйте устройство в режиме «Только вытяжка».	6
	При передвижении переключателя заслонки изнутри устройства слышен звук.	Этот звук издает механизм заслонки внутри устройства.	Это не является неисправностью.	—
	При выключенном устройстве холодный воздух или ветер поступает в помещение интенсивнее, чем обычно.	Возможно, заслонка осталась открытой.	Передвиньте переключатель заслонки в положение «ЗАКРЫТО».	6
Блок работает слишком громко.	Заслонка закрыта.	Откройте заслонку.	5	

9. Спецификация

Модель	Напряжение питания (В)	Частота (Гц)	Режим	Потребляемая мощность (Вт)	Расход воздуха (м ³ /час)	Коэффициент теплообмена (%)	Уровень шума (дБ)	Вес (кг)
VL-50S2-E	220	50	HI	19	51	70	36,5	6,2
			LO	4	15	86	14	
VL-50ES2-E	230	50	HI	20	52,5	69	37	
			LO	4,5	16	85	15	
VL-50ES2-E	240	50	HI	21	54	68	37,5	
			LO	5,0	17	84	15,5	
VL-50ES2-E	220	60	HI	21	54	68	37,5	
			LO	5,5	17	84	15,5	

* Значения уровня шума могут быть выше, чем указаны в таблице (в зависимости от формы помещения).

10. Послепродажное обслуживание

По всем вопросам послепродажного обслуживания вентустановки Лоссней обращайтесь к дилеру.

- Если установка издает необычные звуки, отсутствует поток воздуха из блока или возникли другие проблемы, выключите электропитание и обратитесь к дилеру. Информацию о стоимости осмотра или ремонта можно получить у дилера.

■ Срок хранения запасных функциональных детали

- Запасные функциональные детали будут храниться на нашем складе в течение 6 лет после прекращения производства данного устройства.
- Функциональными деталями являются компоненты устройства, без которых его работа невозможна.

■ Рекомендации относительно технического осмотра и обслуживания

- Через несколько лет эксплуатации может произойти следующее. Мы рекомендуем обратиться к специалисту для проведения технического осмотра и обслуживания.
 - Из-за износа фильтров внутрь устройства может попадать пыль
 - По истечении срока службы электродвигателя устройство может начать вибрировать или издавать нехарактерные звуки
 - По истечении срока службы теплообменника Лоссней может происходить утечка воздуха
- Следующие компоненты устройства являются расходными:
- Электродвигатель
 - Фильтр подаваемого воздуха
 - Фильтр вытяжной вентиляции
 - Теплообменник Лоссней

■ В стоимость ремонта включена плата за выполнение работ, стоимость сменных частей, транспортные расходы и др.

Производитель: **MITSUBISHI ELECTRIC CORPORATION**

TOKYO BLDG. 2-7-3, MARUNOUCHI, CHIYODA-KU, TOKYO, 100-8310 JAPAN (Токио, Япония)

Импортер в ЕС: MITSUBISHI ELECTRIC EUROPE B.V.

HARMAN HOUSE, 1 GEORGE STREET, UXBRIDGE, MIDDLESEX, UB8 1QQ, U.K. (Великобритания)

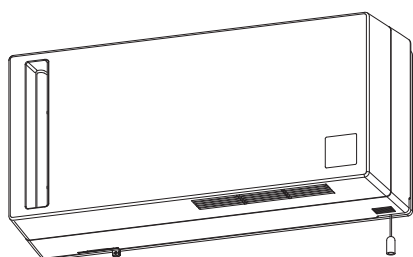
Вентилятор Lossnay від Mitsubishi
МОДЕЛІ

VL-50S2-E (із натяжним шнуром)

VL-50ES2-E (із настінним перемикачем)

Інструкції з експлуатації

Для користувача



Зміст	Сторінка
1. Заходи безпеки.....	1
2. Особливості використання пристрою3	3
3. Можливості	4
4. Назви деталей.....	5
5. Перед запуском пристрою Lossnay ..	5
6. Експлуатація.....	6
7. Технічне обслуговування.....	7
8. Пошук та усунення несправностей... 10	10
9. Технічні характеристики.....	11
10. Обслуговування після придбання... 11	11

Уважно прочитайте ці інструкції для гарантії належного та безпечного використання. Після прочитання інструкцій зберігайте їх у зручному доступному місці.

Перш ніж використовувати пристрій, прочитайте «Заходи безпеки», щоб дізнатися, як належно та безпечно користуватися вентилятором Lossnay.

Не встановлюйте пристрій самостійно. (безпека та належна робота пристроїв, встановлених клієнтами самостійно, не гарантується.)

Якщо кабель, що йшов у комплекті з пристроєм, пошкоджено, його має замінити виробник, працівник служби технічної підтримки або інший кваліфікований фахівець, щоб уникнути ризику поломки. (Лише для VL-50S2-E)

- Зверніться до свого дилера.

1. Заходи безпеки

Потенційні ризики, спричинені неналежним використанням пристрою, а також ступінь їхньої небезпечності вказані наступними позначками.


Застереження:

Стосується неналежного або недопустимого використання продукту, яке може призвести до серйозної травми або смерті.


Попередження:


Стосується неналежного або недопустимого використання продукту, яке може призвести до пошкодження майна, оселі тощо.

Застереження

-  Заборонено
- Забороняється різати, пошкоджувати або змінювати конструкцію кабелю живлення^{*1}, а також без потреби згинати, тягнути, скручувати або зв'язувати його.
 - Ви можете пошкодити кабель, що може призвести до пожежі або удару електричним струмом.
 - Не вмикайте й не вимикайте перемикач Lossnay, якщо стався витік горючого газу.
 - Іскри від електричних контактів можуть призвести до вибуху. Відкрийте вікно, щоб провітрити кімнату.

 НЕ розбирати

 Не допускати потрапляння води

 Не торкатися вологими руками

 Обов'язково дотримуйтеся наведених інструкцій.

- Не використовуйте пристрій у місцях із занадто високою температурою (понад 40 °C), біля відкритого вогню, в оточенні, де утворюється масляний дим, або де в пристрій можуть потрапити органічні розчинники.
 - Це може призвести до пожежі.
- Не розбирайте пристрій вручну або за допомогою інструментів.
 - Це може призвести до пожежі, травми або удару електричним струмом.
- Не дозволяйте волозі потрапляти до пристрою.
 - Невиконання цієї вимоги може призвести до пожежі або удару електричним струмом.
- Не вставляйте й не виймайте вилку*1 вологими руками.
 - Невиконання цієї вимоги може призвести до удару електричним струмом.
- Використовуйте пристрій за номінальної напруги.
 - Невиконання цієї вимоги може призвести до пожежі або удару електричним струмом.
- Регулярно перевіряйте вилку*1 на наявність пилу.
 - Пил на вилці може призвести до пожежі внаслідок короткого замикання.
- Надійно та повністю вставляйте вилку*1 в розетку.
 - Ненадійно вставлена в розетку вилка може призвести до пожежі або удару електричним струмом.
- Розташуйте зовнішній отвір для доступу повітря таким чином, щоб він не вбирив димові гази або інші викиди.
 - Якщо пристрій вбиратиме несвіже повітря, до приміщення може потрапляти недостатньо кисню.
- Завжди вимикайте автоматичні вимикачі або виймайте вилку*1 з настінної розетки, якщо ви не збираєтеся користуватись пристроєм протягом довгого часу.
 - Невиконання цієї вимоги може призвести до удару електричним струмом внаслідок зношення ізоляції або до пожежі внаслідок короткого замикання.
- Встановіть зовнішні захисні ковпаки, що йдуть у комплекті з пристроєм.
 - Потрапляння до пристрою дощової води може призвести до удару електричним струмом, пожежі, або до намокання майна, що знаходиться в приміщенні.
- Негайно припиніть використання пристрою в разі несправності або виходу з ладу.
 - Якщо ви продовжите використовувати пристрій Lossnay після збою або

поломки, це може призвести до утворення диму, пожежі, удару електричним струмом або травми.

- * Негайно вимкніть автоматичний вимикач або вийміть вилку*1 з настінної розетки. Після цього зверніться до крамниці, де ви придбали пристрій, щоб фахівець оглянув і відремонтував його.

<Приклади ознак несправності або виходу з ладу>

- Лопаті не обертаються за ввімкненого живлення.
- Під час роботи пристрою чути шуми або відчувається вібрація.
- Лопаті обертаються повільно або нерегулярно. (Двигуни потребують регулярного технічного обслуговування.)
- Ви чуєте запах гару.
- Кріплення пристрою іржаве або пошкоджене.
- Завжди вимикайте автоматичні вимикачі або виймайте вилку*1 з настінної розетки, перш ніж розпочати технічне обслуговування.
 - Виконання техогляду за ввімкненого живлення може призвести до удару електричним струмом й опіків.

Попередження

 Заборонено


- Не розташовуйте обладнання, де використовується відкритий вогонь, на шляху виходу повітря з пристрою.
 - Неповне згоряння може призвести до нещасних випадків.

- Якщо для виконання технічного обслуговування вам потрібна драбина, розташуйте її на рівній поверхні без жодних перешкод.
 - Падіння з драбини може призвести до травми.

- Забороняється встановлювати пристрій на стелі.
 - Падіння пристрою може призвести до травми.

- Оскільки пристрій призначений для встановлення на висоті, закріпіть його щонайменше на висоті 1,8 м.
 - Невиконання цієї вимоги може призвести до травми.

 НЕ торкатися

 Обов'язково дотримуйтеся наведених інструкцій.

- Під час роботи в пристрої обертаються лопаті. Не встромляйте нічого всередину під час роботи пристрою.
 - Це може призвести до травми.

- Не використовуйте пристрій у ванній кімнаті або в іншому вологому приміщенні.
 - Невиконання цієї вимоги може призвести до поломки або удару електричним струмом.

- Оглядайте пристрій лише в рукавицях.
- Робота без рукавиць може призвести до травми.
- Після технічного обслуговування надійно встановіть частини пристрою на відповідні місця.
- Падіння пристрою може призвести до травми.
- Ніколи не виймайте вилку*¹, тягнучи її за кабель. Завжди беріться за саму вилку.
- Невиконання цієї вимоги може призвести до удару електричним струмом, короткого замикання або пожежі.
- Якщо температура повітря на вулиці дуже низька, дують сильні вітри, йде сильний сніг або дощ, або якщо на вулиці туман або заметіль, вимкніть Lossnay і закрийте ручний затвор.
- Разом із повітрям до пристрою Lossnay може потрапити вода або сніг, що призведе до пошкодження внаслідок погодних умов.
- Цей пристрій не призначений для використання особами (у тому числі

дітьми) з обмеженими фізичними, сенсорними або розумовими можливостями або особами без належного досвіду та знань, якщо вони не знаходяться під наглядом особи, відповідальної за їхню безпеку, і не отримали від неї належних інструкцій. Необхідно слідувати за тим, щоб діти не бавилися з пристроєм. (Цим пристроєм можуть користуватися діти віком від 8 років, особи з обмеженими фізичними, сенсорними або розумовими обмеженнями, а також особи без належного досвіду та знань, якщо вони знаходяться під наглядом, отримали інструкції стосовно безпечного використання пристрою й усвідомлюють пов'язані з ним ризики. Діти не повинні бавитися з пристроєм. Дітям забороняється чистити пристрій та здійснювати технічне обслуговування без нагляду.)

*¹ Стосується лише моделі VL-50S2-E (Lossnay із кабелем живлення з вилкою).

2. Особливості використання пристрою

- Під час роботи взимку пристрій Lossnay передає тепло повітря з приміщення холодному повітря з вулиці під час вбирання повітря з вулиці.

Це означає, що коли повітря на вулиці холодніше за $-10\text{ }^{\circ}\text{C}$, на панелі пристрою або всередині може утворитися конденсат. Оскільки іній та конденсат утворюються за незначних змін навколишніх умов (вологість у приміщення, рух повітря тощо), змініуйте режими роботи або тимчасово вимикайте пристрій відповідно до поточних умов. За появи конденсату на поверхні пристрою витріть його.

Керуючись наступним переліком температур повітря на вулиці, у відповідних умовах вибирайте режим роботи Лише випуск повітря. (Детальніше про це режим можна прочитати на стор. 6.)

	Температура повітря на вулиці
Робота	$-10\text{ }^{\circ}\text{C}$ і вище
Лише випуск повітря	Від $-10\text{ }^{\circ}\text{C}$ до $-20\text{ }^{\circ}\text{C}$
Не використовувати	$-20\text{ }^{\circ}\text{C}$ і нижче

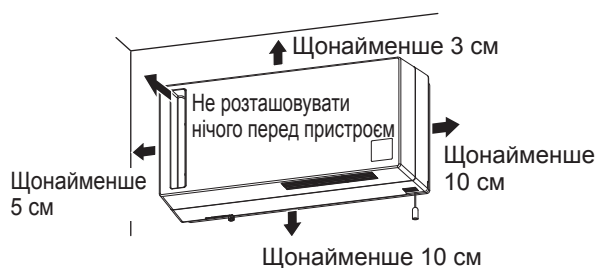
- Перш ніж використовувати пристрій, переконайтеся, що його встановлено надійно.

- Пристрій Lossnay встановлено на стіні?
 - Цей пристрій Lossnay призначений для встановлення лише на стіні. За встановлення на стелі він може впасти.
- Чи встановлено спеціальний захисний

- ковпак на стіні з боку вулиці?
 - - Без цього ковпака пристрій можуть пошкодити вітер або дощ.

- ■ Дотримуйтеся наступних застережень під час використання пристрою Lossnay.

- - Не розташовуйте навколо пристрою сторонні об'єкти.
 - - Такі об'єкти можуть заблокувати отвори для подачі або випуску повітря або завадити належному обслуговуванню пристрою.
 - - Вони також можуть стати перешкодою на шляху до настінної розетки (для моделей із вилками).



- - Не наносьте аерозолі (на кшталт спреїв від комах, лаків для волосся або засобів для очищення) безпосередньо на пристрій.

- - Це може викривити, послабити або пошкодити панель.
- - Не захирацуйте панель.
 - - Це може завадити належній вентиляції.

- - Не тягніть кабель по діагоналі (лише для VL-50S2-E).

- - Пристрій не працюватиме належним чином.

- У наступних випадках вимкніть пристрій Lossnay і закрийте затвор.
 - Якщо температура повітря на вулиці дуже низька, дують сильні вітри, йде сильний сніг або дощ, або якщо на вулиці сильний туман або заметіль. (Разом із повітрям до пристрою Lossnay може потрапити вода або сніг, що призведе до пошкодження внаслідок погодних умов.)
 - Під час очищення та огляду (Тимчасово зупиніть пристрій Lossnay, щоб потім відновити його роботу.)
- Не тягніть панель силою.
 - Це може призвести до падіння пристрою.

- Компанія Mitsubishi рекомендує встановлювати пристрій Lossnay на відстані від ліжка.
 - Якщо розташувати пристрій занадто близько, ви будете чути шум від роботи або відчувати рух холодного повітря, знаходячись у ліжку.
- Комахи, менші за отвори решітки на захисному ковпаку, можуть потрапити до пристрою.
- За сильного вітру з боку затвора може лунає гуркіт. (Це не є несправністю.)
- Двигун і фільтр повітря вимагають регулярного технічного обслуговування (заміни).
 - Інтервал між замінами залежить від інтенсивності використання пристрою.

3. Можливості

Вентилятор Lossnay від Mitsubishi Запуск пристрою Lossnay

Пристрій Lossnay виводить забруднене повітря з приміщення на вулицю, а чисте повітря з вулиці, навпаки, передає до приміщення (забезпечуючи подачу повітря). Подаючи повітря, він наближає температуру повітря з вулиці до кімнатної (відіграючи роль теплообмінного пристрою).

* Lossnay – це не кондиціонер. Це вентилятор, що також здійснює теплообмін.

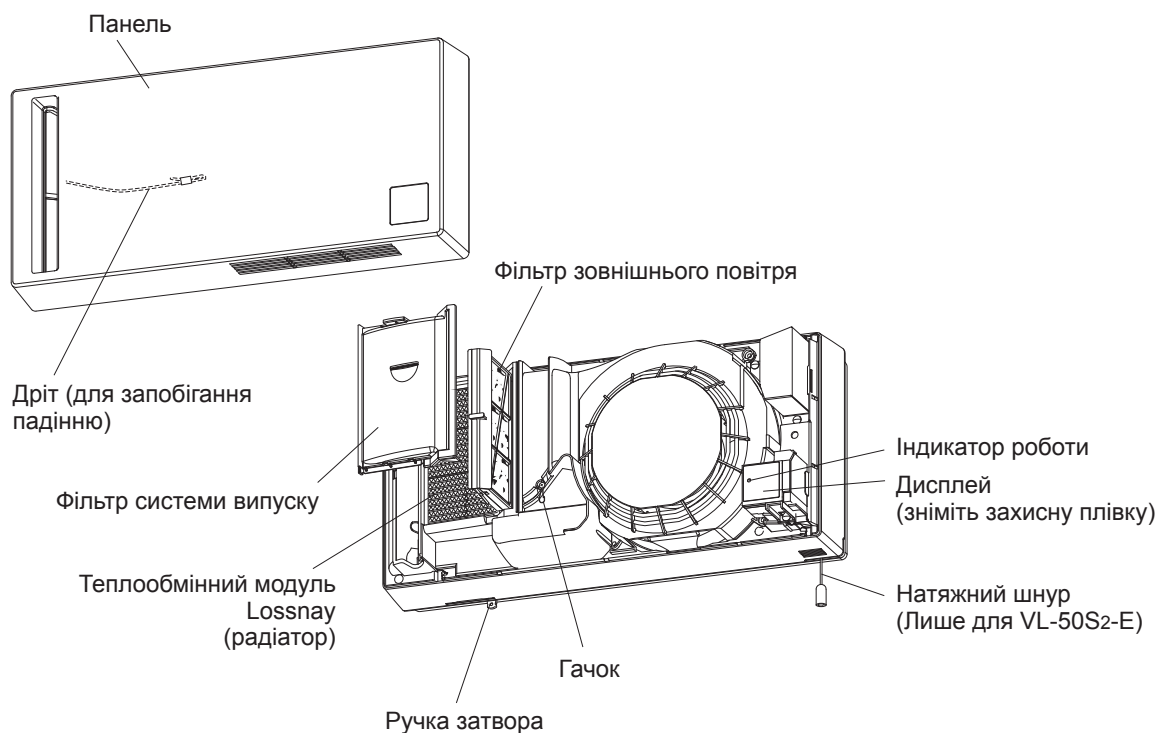
- ◆ Оскільки він не лише виводить повітря назовні, але й постачає до приміщення свіже повітря, він чудово підходить для будівель із поганою вентиляцією.

- ◆ Оскільки він є теплообмінним пристроєм, Lossnay є засобом для нагрівання та охолодження повітря, дешевшим за звичайні вентилятори, які забезпечують лише рух повітря.
- ◆ Вбудовані фільтри зменшують кількість пилу, пилку та інших часток, що потрапляють до оселі з повітрям із вулиці.

1		Фільтр системи випуску
2		Фільтр зовнішнього повітря Номер деталі для заміни: P-50F2-E
3		Високоєфективний фільтр (додаткове обладнання) P-50HF2-E

- ◆ Щоб запобігти холоду або утворенню в пристрої конденсату взимку, можна використовувати режим Лише випуск повітря. (Детальніше про це режим можна прочитати на стор. 6.)

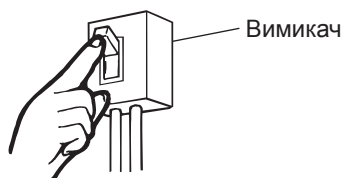
4. Назви деталей



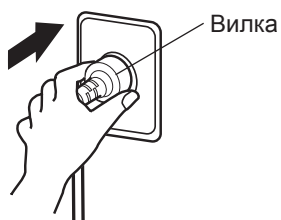
5. Перед запуском пристрою Lossnay

1. Підготовка до ввімкнення живлення

1) Увімкніть автоматичний вимикач на розподільній панелі.



2) Вставте вилку в настінну розетку. (лише для VL-50S2-E)

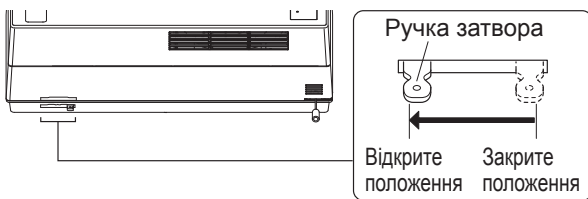


6. Експлуатація

Примітка

- У наступних випадках зупиніть роботу пристрою **Lossnay** і вручну пересуньте ручку затвора до упору вліво (у положення закриття), щоб закрити затвор.
- Якщо температура повітря на вулиці дуже низька, дують сильні вітри, йде сильний сніг або дощ, або якщо на вулиці сильний туман або заметіль. (Разом із повітрям до пристрою **Lossnay** може потрапити вода або сніг, що призведе до пошкодження внаслідок погодних умов.)
- Під час очищення та огляду

1. Відкрийте затвор за допомогою ручки.



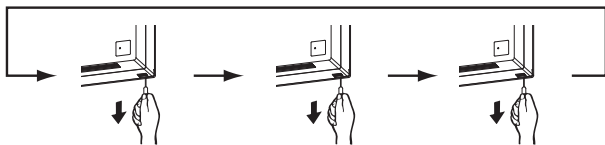
Примітка

- Переконайтеся, що ручка затвора знаходиться у відкритому положенні, перш ніж увімкнути пристрій.

2. Експлуатація

Для VL-50S2-E

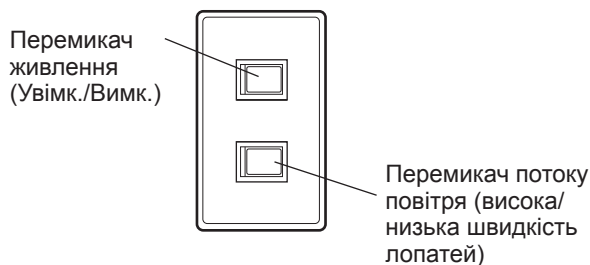
Перемикання режимів роботи (поток повітря)
Тягніть шнур для перемикання між режимами «HI» (висока швидкість), «LO» (низька швидкість) і «Off» (вимкнено).



Режим HI (Індикатор роботи горить.) Режим LO (Індикатор роботи не горить.) Вимкнено (Індикатор роботи не горить.)

Для VL-50ES2-E

За допомогою перемикачів.



- * Наведені вище перемикачі є лише прикладом. Їхня робота та індикатори можуть відрізнятися в залежності від типу встановлених перемикачів.

3. Робота в режимі «Лише випуск повітря»

Що таке режим «Лише випуск повітря»?

Коли взимку температура зовнішнього повітря падає, і до приміщення поступає холодне повітря, призводячи до утворення в пристрої конденсату, змініть режим роботи пристрою на Лише випуск повітря.

За закритого затвора з боку подачі повітря та напівзакритого затвора з боку випуску повітря зменшується приплив холодного повітря з вулиці.

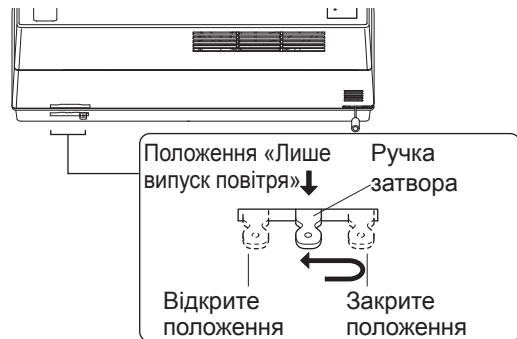
Щоб запобігти замерзанню радіатора, використовуйте пристрій у режимі «Лише випуск повітря», якщо температура повітря на вулиці складає $-10\text{ }^{\circ}\text{C}$ або нижче.

(*Вказівник температур зовнішнього повітря див. на стор. 3.)

Як керувати режимом «Лише випуск повітря»

Поставте затвор у положення Лише випуск повітря за допомогою ручки.

- Поставте затвор у закриті положення за допомогою ручки, і потім, повільно пересуваючи його у відкрите положення, зупиніть затвор у положенні Лише випуск повітря.



Примітка

- Коли потреба в режимі «Лише випуск повітря» зникне, поверніть затвор у відкрите положення.

7. Технічне обслуговування

Регулярно прибирайте весь пил і бруд із фільтрів повітря та теплообмінних модулів Lossnay, щоб забезпечити належну роботу всіх функцій пристрою Lossnay.

Рекомендація:

Очищуйте фільтри повітря **щонайменше кожні півроку**

Очищуйте теплообмінні модулі Lossnay раз на два роки.
(У разі забруднення очищуйте пристрій частіше.)

⚠ Застереження:

- **Завжди вимикайте автоматичні вимикачі або, для моделі VL-50S2-E, виймайте вилку з настінної розетки, перш ніж розпочати технічне обслуговування.**
- Виконання техогляду за ввімкненого живлення може призвести до удару електричним струмом й опіків.

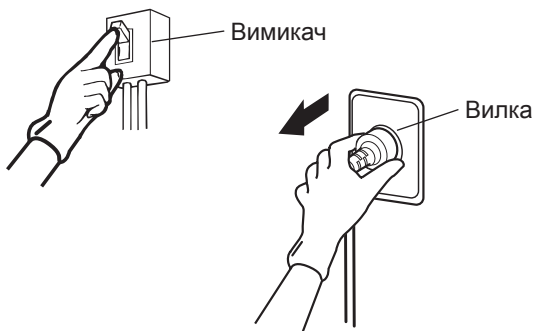
⚠ Попередження:

- **Оглядайте пристрій лише в рукавицях.**
 - Робота без рукавиць може призвести до травми.
- **За роботи з драбиною розташуйте її на рівній поверхні без жодних перешкод.**
 - Падіння з драбини може призвести до травми.

Демонтаж частин

(1) Вимкніть живлення

- 1) Вимкніть пристрій Lossnay.
- 2) Завжди вимикайте автоматичні вимикачі або, для моделі VL-50S2-E, виймайте вилку з настінної розетки.

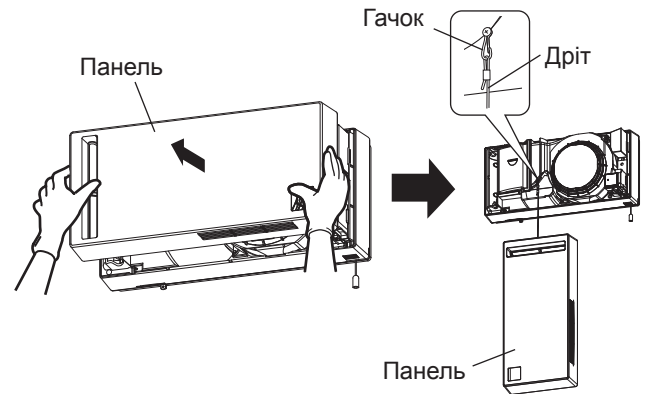


(2) Відкрийте панель.

Для горизонтального монтажу

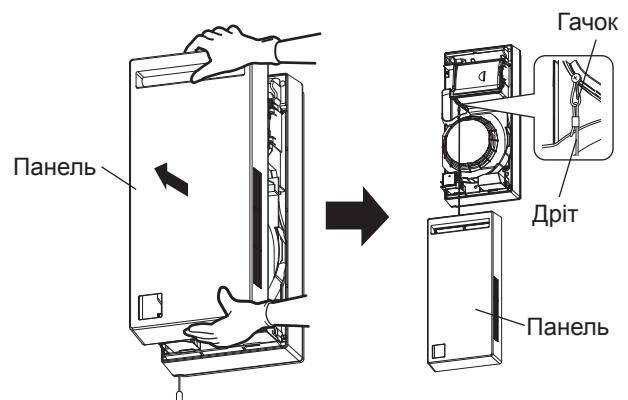
- 1) Візьміть лівий і правий краї пластини, як показано нижче на рисунку, і потягніть на себе.
- 2) Зніміть панель і підвісьте її.
 - Знімаючи панель (дріт) з головного блока, утримуйте гачок і зніміть із нього дріт.

- Не трясіть підвішену панель. (вона може пошкодити шпалери.)



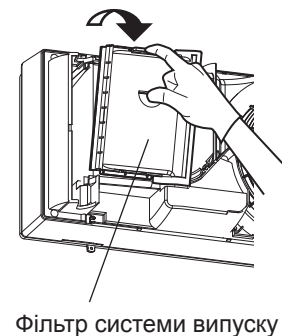
Для вертикального монтажу

- 1) Візьміть верхній і нижній краї пластини, як показано нижче на рисунку, і потягніть на себе.
- 2) Зніміть панель і підвісьте її.
 - Знімаючи панель (дріт) з головного блока, утримуйте гачок і зніміть із нього дріт.
 - Не трясіть підвішену панель. (вона може пошкодити шпалери.)



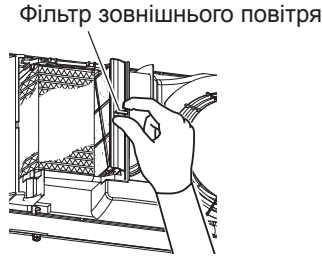
(3) Зніміть фільтр системи випуску.

Утримуйте фільтр повітря й потягніть його верхню частину на себе, як показано на рисунку, щоб відчепити її зверху та зняти.



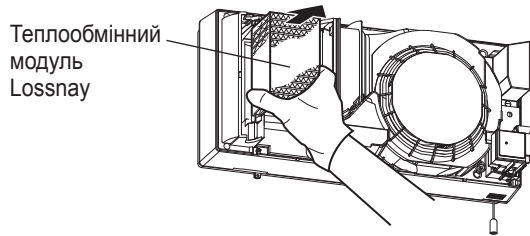
(4) Зніміть фільтр зовнішнього повітря.

Візьміть ручку фільтра зовнішнього повітря, щоб витягти його.



(5) Зніміть теплообмінний модуль Lossnay.

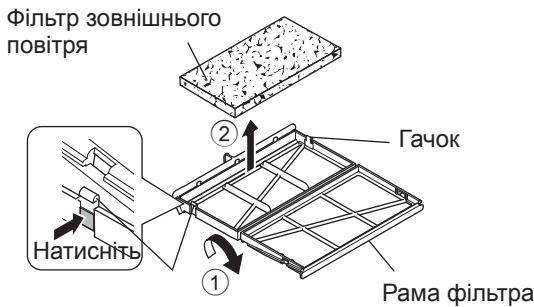
Натисніть на зубець на ручці теплообмінного модуля Lossnay і потягніть ручку на себе, щоб зняти модуль.



Очищення

(1) Фільтр зовнішнього повітря

- 1) Натисніть на виступи з двох боків, щоб відкрити раму фільтра.
- 2) Зніміть фільтр зовнішнього повітря.



- 3) Пропилосуйте фільтр, щоб прибрати пил, а потім вручну промийте його водою з нейтральним миючим засобом або теплою водою (до 40 °C). Після цього ретельно висушіть фільтр зовнішнього повітря, щоб прибрати з нього залишки вологи.

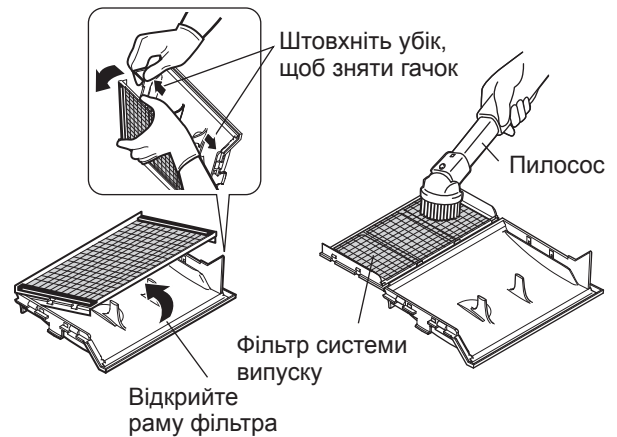


Заміна:

Після того, як фільтр був помитий чотири рази, його слід замінити на новий фільтр, що продається окремо (P-50F2-E).

(2) Фільтр системи випуску

- 1) Відкрийте фільтр системи випуску, як показано на рисунку.
- 2) Легенько постукайте по ньому рукою, щоб прибрати пил, або скористайтеся пилососом.
- 3) Якщо фільтр дуже забруднився, протріть його змоченою у воді й ретельно викрученою ганчіркою.

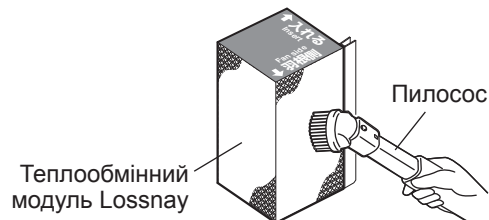


Примітка

- Ніколи не мийте фільтр у гарячій воді й не трійте його.
- Не сушіть фільтр, підносячи його до відкритого вогню.
- За використання вискоєфективного фільтра для пилу, що продається окремо, застосовуйте його згідно інструкцій, наведених у посібнику з експлуатації, що йде в комплекті із цим фільтром.

(3) Теплообмінний модуль Lossnay

- Приберіть пил із поверхні за допомогою пилососа.
- Обережно очистіть поверхню за допомогою насадки пилососа.



Примітка

- Слідкуйте за тим, щоб на теплообмінний модуль Lossnay не потрапляла вода, хімікати або летючі речовини.
- Не мийте теплообмінний модуль Lossnay у воді.
- Не підносьте теплообмінний модуль Lossnay близько до відкритого вогню.
- Не притискайте дроти, викрутки або жорсткі насадки пилососа до поверхні модуля.

Повторне збирання й перевірка після технічного обслуговування

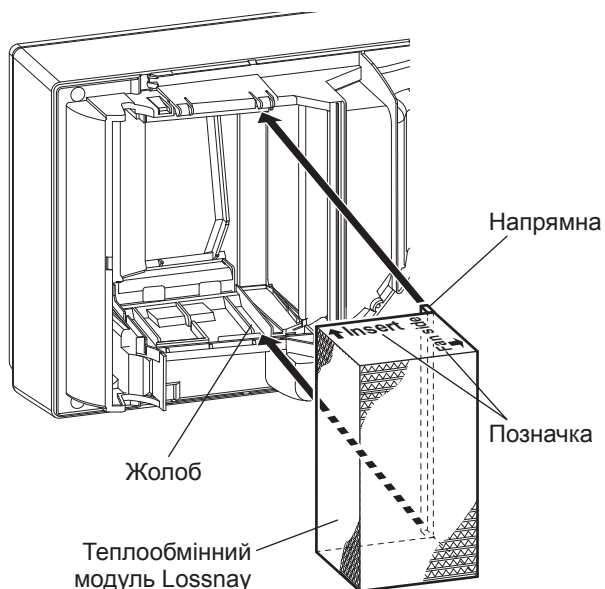
Встановіть фільтр і теплообмінний модуль Lossnay, виконавши дії, зворотні до процедури їхнього зняття.

⚠ Попередження

- Після технічного обслуговування надійно встановіть частини пристрою на відповідні місця.
- Падіння пристрою може призвести до травми.

(1) Встановіть теплообмінний модуль Lossnay.

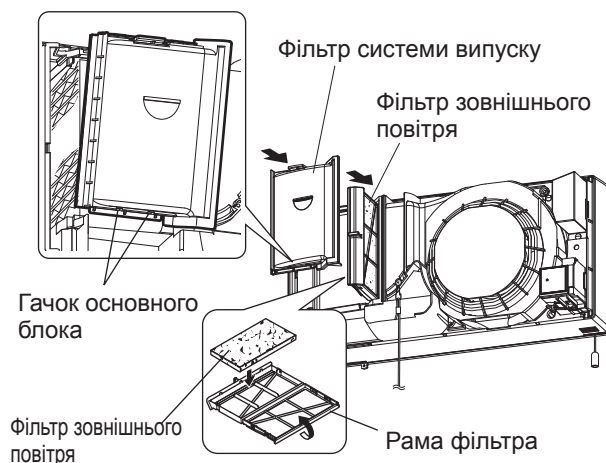
- 1) Перевірте напрям позначок «Insert» (Вставити) і «Fan side» (Сторона лопатей) на теплообмінному модулі Lossnay.
- 2) Вставте напрямну теплообмінного модуля Lossnay у жолоб в основному блоці.
- 3) Глибоко заштовхніть теплообмінний модуль Lossnay, поки фланець і прокладка модуля Lossnay не торкнуться одне одного.



(2) Встановіть фільтр зовнішнього повітря. (Див. стор. 9.)

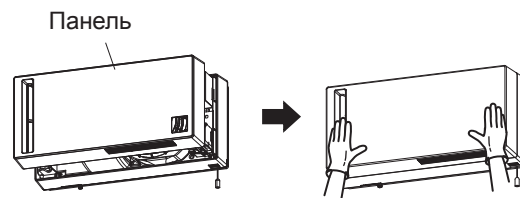
- Поставте фільтр зовнішнього повітря в раму фільтра й встановіть його в основний блок. (Не переплутайте верхню й нижню сторони.)

(3) Встановіть фільтр системи випуску



(4) Зачиніть панель.

- Притисніть панель горизонтально до основного блока.



(5) Увімкніть автоматичний вимикач або, для моделі VL-50S2-E, вставте вилку в настінну розетку.

(6) Увімкніть живлення.

(7) Після повторної збірки перевірте наступне.

- Чи надійно встановлено фільтри й панель?
- Чи не лунають із пристрою незвичні звуки?
- Чи випускає пристрій повітря? (Обов'язково перевірте пристрій під час роботи. Переконайтеся, що затвор відкрито.)

Очищення панелі / основного блока

Якщо панель або основний блок забруднилися, витріть їх ретельно викрученою ганчіркою, змоченою в розчині нейтрального миючого засобу та теплої води (до 40 °C), а потім витріть їх чистою ганчіркою, щоб прибрати залишки розчину.

Примітка

- Використання будь-якого з наведених нижче розчинів для технічного обслуговування може викривити, послабити деталі пристрою Lossnay або пошкодити їхнє покриття.
- Розчинник для фарби, спирт, бензол, бензин, керосин, аерозолі, лужні миючі засоби, хімічні протирки або абразивні миючі засоби на кшталт порошків
- Прибирайте увесь пил із вилки. (Лише для VL-50S2-E)

8. Пошук та усунення несправностей

Огляньте пристрій, якщо виникне будь-яка з наступних проблем. Якщо в наведеному списку проблеми немає, або вона не зникла після огляду, вимкніть автоматичний вимикач на розподільній панелі або, для моделі VL-50S2-E, вийміть вилку з настінної розетки, і зверніться до свого дилера.

Модель	Проблема	Причина	Необхідні дії	Сторінка
VL-50S2-E VL-50ES2-E	Пристрій не працює.	Немає живлення в основному блоці.	Перевірте вилку. (Лише для VL-50S2-E) Перевірте, чи не спрацював автоматичний вимикач. Перевірте, чи не стався збій напруги.	5
	Пристрій працює гучніше. Пристрій шумить.	Панель або фільтр зовнішнього повітря закріплені ненадійно.	Надійно закріпіть панель або фільтр.	7
		Фільтр зовнішнього повітря або фільтр системи випуску забився.	Очистіть фільтр.	7–8
	Із пристрою виходить недостатньо повітря.	Фільтр зовнішнього повітря або фільтр системи випуску забився.	Очистіть фільтр.	7–8
	Індикатор роботи тьмянний.	Коли режим роботи змінюється з HI на LO, індикатор стає тьмянним.	Це не є несправністю.	—
	Усередину потрапляють дрібні комахи.	До пристрою можуть потрапити дрібні частки та комахи.	Щоб надійніше захистити пристрій, придбайте вискоєфективний фільтр для пилу.	4
	Із пристрою не виходить повітря.	Lossnay – це теплообмінний вентилятор, тому з нього надходить менше повітря, ніж зі звичайного вентилятора. Це нормально.		—
	Із пристрою виходить мало повітря.	Затвор закрито.	Відкрийте затвор.	6
	Панель не закривається.	Теплообмінний модуль Lossnay або фільтр зовнішнього повітря закріплені неправильно. (Компонент встановлено неправильно або задом наперед.)	Встановіть компонент правильно.	7–8
	Із пристрою надходить холодне повітря.	Температура повітря на вулиці впала.	Тимчасово вимкніть пристрій і закрийте затвор, як того вимагає ситуація. Встановіть затвор у положення для режиму Лише випуск повітря і продовжуйте експлуатацію пристрою.	5
		Холодне повітря може потрапити до приміщення, якщо тиск у кімнаті нижчий за атмосферний через те, що в ній працює вентилятор системи випуску.	Це не є несправністю. Використовуйте пристрій у режимі «Лише випуск повітря».	6
	Під час роботи з ручкою затвора всередині чути шум.	Це звук руху затвора всередині пристрою.	Це не є несправністю.	—
	До приміщення потрапляє більше холодного повітря або вітру, ніж зазвичай, коли пристрій не працює.	Можливо, затвор залишився відкритим.	Закрийте затвор за допомогою ручки.	6
Пристрій працює гучно.	Затвор закрито.	Відкрийте затвор.	5	

9. Технічні характеристики

Модель	Напруга електроживлення (В)	Частота (Гц)	Режим	Споживання енергії (Вт)	Об'єм повітря (м ³ /год)	Ефективність теплообміну (%)	Шум (дБ)	Вага (кг)
VL-50S2-E	220	50	HI	19	51	70	36,5	6,2
			LO	4	15	86	14	
VL-50ES2-E	230	50	HI	20	52,5	69	37	
			LO	4,5	16	85	15	
VL-50ES2-E	240	50	HI	21	54	68	37,5	
			LO	5,0	17	84	15,5	
VL-50ES2-E	220	60	HI	21	54	68	37,5	
			LO	5,5	17	84	15,5	

* Показники шуму можуть перевищувати вказані в списку в залежності від будови приміщення.

10. Обслуговування після придбання

Проконсультуйтеся зі своїм дилером стосовно обслуговування після покупки, доступного для цього продукту Lossnay.

- Якщо ви чуєте незвичні звуки, із пристрою не виходить повітря або виникають інші проблеми, вимкніть живлення й зверніться до свого дилера. Проконсультуйтеся зі своїм дилером стосовно вартості огляду або ремонту.

■ Термін зберігання функціональних запасних частин

- Ми зберігаємо функціональні запасні частини протягом шести років після припинення виробництва продукту.
- Функціональна запасна частина – це деталь, необхідна для підтримки належної роботи продукту.

■ Рекомендовані огляд і технічне обслуговування

- Після декількох років використання може статися наступне. Ми рекомендуємо звертатися до фахівця для огляду й технічного обслуговування пристрою.
- Потрапляння всередину пилу через зношення фільтрів
- Незвичний шум або вібрації через закінчення терміну служби двигуна
- Пропускання повітря через закінчення терміну служби теплообмінного модуля Lossnay

Список змінних деталей:

- двигун
- фільтр вхідного повітря
- фільтр системи випуску
- теплообмінний модуль Lossnay

■ До вартості ремонту входять вартість роботи, вартість деталей, (а також відрядні витрати) тощо.

Виробник: **MITSUBISHI ELECTRIC CORPORATION**

TOKYO BLDG. 2-7-3, MARUNOUCHI, CHIYODA-KU, TOKYO, 100-8310 JAPAN (ЯПОНІЯ)

Імпортер в ЄС: MITSUBISHI ELECTRIC EUROPE B.V.

HARMAN HOUSE, 1 GEORGE STREET, UXBRIDGE, MIDDLESEX, UB8 1QQ, U.K. (СПОЛУЧЕНЕ КОРОЛІВСТВО)